

# D5094

## SIL3 Relay Out Module for 5 A NE/ND Loads

The D5094 is a relay module suitable for switching safety related circuits, up to SIL 3 level, for high risk industries. It provides isolation between input and output contacts. It makes available 2+2 NO relay contacts connected in parallel and then in series to avoid spurious trip and to increase process availability. High process availability SIL 3 Safety Function for both Normally Energized (NE) and Normally De-energized (ND) / F&G loads is available. Load can be isolated from supply on both polarities. A wide compatibility towards different DCS/PLC is guaranteed: driving pulse testing is permitted by a dedicated internal circuit, which prevents contact and LED flickering.

### FEATURES

- SIL 3 / SC 3 for NE/ND loads with NE/ND driver
- Installation in Zone 2
- Up to 5 A functional / 6 A inrush current
- Load disconnection on both supply lines available
- High process availability to avoid spurious trips
- Compatible with DCS/PLC pulse testing
- Service contact available
- Input/Output isolation

### ORDERING INFORMATION

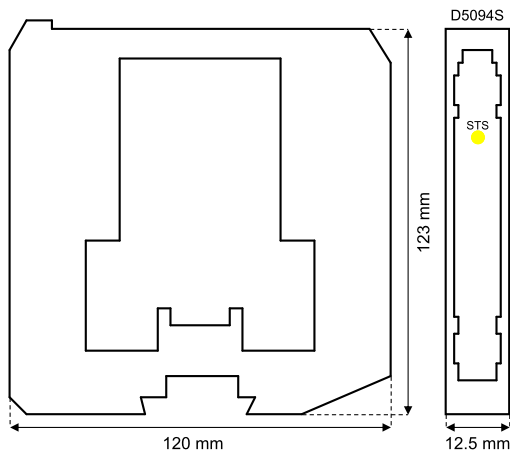
#### Ordering codes

D5094S: 1 channel

#### Accessories

DIN-Rail stopper MCHP196.

### OVERALL DIMENSIONS



### TECHNICAL DATA

#### Input

24 Vdc nom (21.6 to 27.6 Vdc), reverse polarity protected. Relay coils are internally protected with suppressor diodes.

**Current consumption:** 45 mA @ 24 Vdc, typical.

**Power dissipation:** 1.1 W @ 24 Vdc, typical.

#### Output

Voltage free 2+2 SPST relay contact (2 paralleled contacts in series) at terminals 7-11 and 8-12, close when relay energized, open in de-energized condition.

**Contact material:** Ag Alloy (Cd free), gold plated.

**Contact rating:** 5 A 250 Vac 1250 VA, 5 A 250 Vdc 140 W (resistive load).

**Contact min. switching current:** 1 mA.

**Contact inrush current:** 6 A @ 24 Vdc, 250 Vac.

**DC and AC load breaking capacity:** refer to Instruction Manual.

**Mechanical / electrical life:** 5 \* 10<sup>6</sup> / 3 \* 10<sup>4</sup> operation, typical.

**Operate / release time:** 30 ms / 30 ms, typical.

#### Isolation

Output/Input 2.5 kV.

#### Environmental conditions

**Operating temperature:** temperature limits -40 to +70 °C.

**Storage temperature:** temperature limits -45 to +80 °C.

#### Mounting

DIN-Rail 35 mm, or on custom Term. Board.

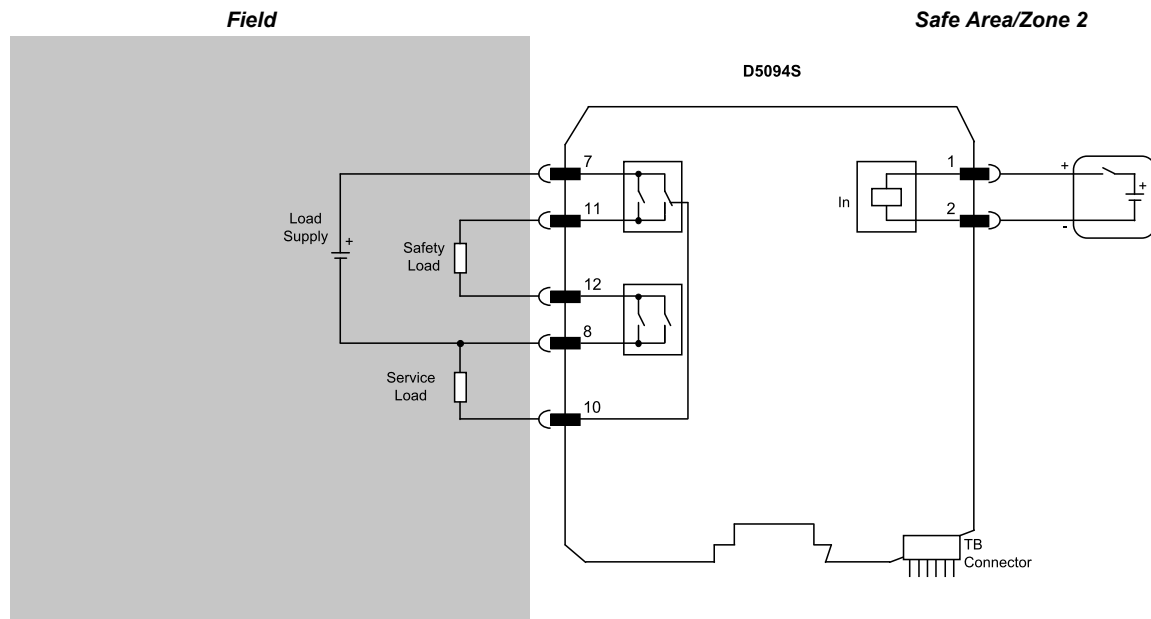
**Weight:** about 125 g.

**Connection:** by polarized plug-in disconnect screw terminal blocks to accommodate terminations up to 2.5 mm<sup>2</sup> (13 AWG).

**Dimensions:** Width 12.5 mm, Depth 123 mm, Height 120 mm.

## FUNCTION DIAGRAM

Additional installation diagrams may be found in Instruction Manual.



Functional Safety Management Certification:  
GM International is certified to conform to IEC61508:2010 part 1 clauses 5-6 for safety related systems up to and included SIL3. In addition, GM International products have been granted I.S. certificates from the most credited Notified Bodies in the world.

Data specified in this document are merely descriptive of the products and should be integrated with relevant technical specifications. Our products are in constant development and the information presented herein refers to the time of document issue. No statements concerning a certain condition or suitability for a certain application can be derived from our information. The information given does not release the user from the obligation of own judgment and verification. Terms & Conditions can be found at our website. For more information refer to instruction manual.