

D6039

SIL2 Line-Fault Transp. Switch/Prox. Repeater

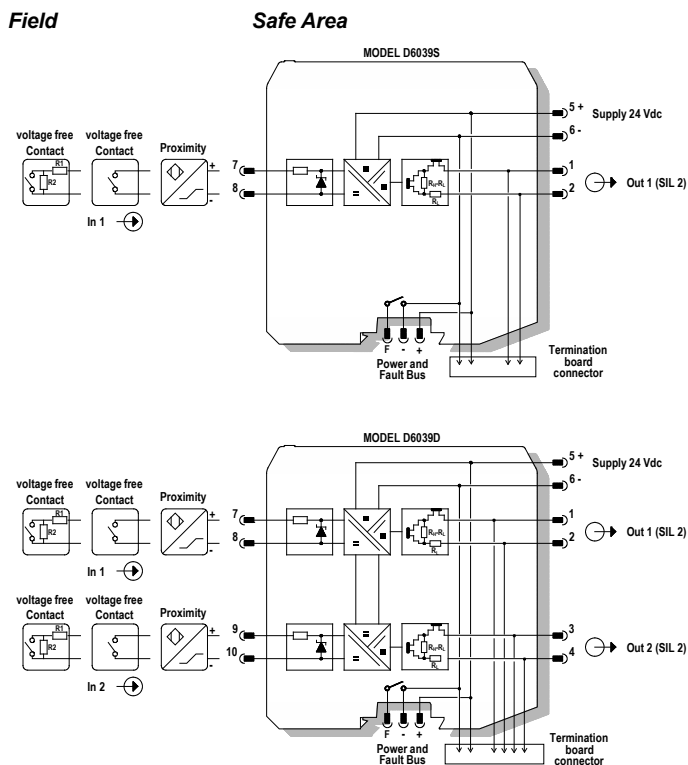
The Switch/Proximity Detector Repeater D6039 is a module suitable for applications requiring SIL 2 level in safety related systems for high risk industries. The unit can be configured for switches or proximity detectors and repeats the input state to the output. The output port can assume two different impedance values (RL or RH) or it can open completely. The module output repeats the input state according to the following correspondence: low input state -> RL, high input state -> RH. Alternatively, the output can be configured to invert the input state. In both cases, the output opens if any fault (open or short circuit) occurs at the corresponding input.

FEATURES

- SIL 2 / SC 3
- Field open and short circuit detection
- Field fault universal mirroring to PLC DI
- In-field programmability by DIP Switch
- Three port isolation, Input/Output/Supply
- High Density, two channels per unit

FUNCTION DIAGRAM

Additional installation diagrams may be found in Instruction Manual.



TECHNICAL DATA

Supply

24 Vdc nom (18 to 30 Vdc), reverse polarity protected.

Current consumption: 30 mA (D6039D), 25 mA (D6039X), 15 mA (D6039S), @ 24 Vdc, typical.

Power dissipation: 1.0 W (D6039D), 1.0 W (D6039X), 0.4 W (D6039S), @ 24 Vdc, typical.

Input

Input switching current levels: ON ≥ 2.1 mA, OFF ≤ 1.2 mA.

Open fault: current ≤ 0.05 mA.

Short fault: resistance $\leq 100 \Omega$.

No fault: current ≥ 0.35 mA and resistance $\geq 360 \Omega$.

Input equivalent source: 8 V 1 k Ω typical (8 V no load, 8 mA short).

Output

Voltage free SPST solid-state relays, with series (RL) and parallel (RH-RL) resistances, $\pm 5\%$ tolerance.

Fault impedance: $> 1 \text{ M}\Omega$.

Max voltage: 30 Vdc.

Response time: 500 μs .

Frequency response: 1 kHz maximum.

Isolation

In/Out 1.5 kV; In/Supply 1.5 kV; In/In 500 V; Out/Supply 500 V; Out/Out 500 V.

Environmental conditions

Operating temperature: temperature limits -40 to $+70$ $^{\circ}\text{C}$.

Storage temperature: temperature limits -45 to $+80$ $^{\circ}\text{C}$.

Mounting

DIN-Rail 35 mm, with or without Power Bus or on custom Term. Board.

Weight: about 135 g (D6039D and D6039X), 120 g (D6039S).

Connection: by polarized plug-in disconnect screw terminal blocks to accommodate terminations up to 2.5 mm² (13 AWG).

Dimensions: Width 12.5 mm, Depth 123 mm, Height 120 mm.

ORDERING INFORMATION

D6039xy

x: S \rightarrow 1 channel; D \rightarrow 2 channels; X \rightarrow duplicator

y: A \rightarrow RL = 2.2 k Ω , RH = 14.3 k Ω ; B \rightarrow RL = 476 Ω , RH = 1.38 k Ω

Accessories

Bus Connector JDFT049, Bus Mounting Kit OPT5096.