



INSTRUCTION MANUAL

SIL 2 Thermocouple/mV Repeater, DIN-Rail
Models D5072S-096, D5072D-096



Characteristics

General Description:

The single and dual channel Isolating Repeater D5072S-096 and D5072D-096 accepts a low level dc signal from millivolt or thermocouple sensor, located in Hazardous Area, and repeats, with isolation, the signal to Safe Area, suitable for applications requiring SIL 2 (according to IEC 61508:2010) in safety related systems for high risk industries.

For D5072D-096 module: duplicator function provides two independent outputs from one single input.

Mounting on standard DIN-Rail, with or without Power Bus, in Safe Area / Non Hazardous Location or in Zone 2 / Class I, Division 2 or Class I, Zone 2.

Fault Detection:

D5072-096 module is able to detect the breakage of the sensor lines (Burnout), as well as internal unrecoverable module errors.

Functional Safety Management Certification:

G.M. International is certified by TUV to conform to IEC61508:2010 part 1 clauses 5-6 for safety related systems up to and included SIL3.



Technical Data

Supply: 24 Vdc nom (18 to 30 Vdc) reverse polarity protected,

ripple within voltage limits ≤ 5 Vpp, 2 A time lag fuse internally protected.

Current consumption @ 24 V: 35 mA (D5072D-096), 30 mA (D5072S-096).

Power dissipation: 0.85 W for 2 channels D5072D-096, 0.6 W for 1 channel D5072S-096 with 24 V supply voltage.

Isolation (Test Voltage): I.S. In/Out 2.5 KV; I.S. In/Supply 2.5 KV; I.S. In/I.S. In 500 V;

Out/Supply 500 V; Out/Out 500 V.

Input: millivolt or any type of thermocouple within Input Range.

Integration time: 75 ms (fast), 375 ms (slow), user selectable.

Resolution: 1 μ V.

Input range: -10 to +100 mV.

Thermocouple burnout current: ≤ 50 μ A.

Fault: Output reflects burnout/internal fault condition via highscale (+110 mV) value forcing. Fault condition is also signalled via BUS and red LED on front panel.

Output: millivolt.

Transfer characteristic: linear.

Response time: ≤ 20 ms (10 to 90 % step).

Output range: -10 to +100 mV.

Performance: Ref. Conditions 24 V supply, 23 \pm 1 $^{\circ}$ C ambient temperature, slow integration mode.

Input: Calibration and linearity accuracy: $\leq \pm 10$ μ V.

Temperature influence: $\leq \pm 3$ μ V/ $^{\circ}$ C, typical.

Output: Calibration and linearity accuracy: $\leq \pm 10$ μ V.

Temperature influence: $\leq \pm 3$ μ V/ $^{\circ}$ C, typical.

Compatibility:

CE mark compliant, conforms to Directive:

2014/34/EU ATEX, 2014/30/EU EMC, 2014/35/EU LVD, 2011/65/EU RoHS.

Environmental conditions:

Operating: temperature limits - 40 to + 70 $^{\circ}$ C, relative humidity 95 %, up to 55 $^{\circ}$ C. **Storage:** temperature limits - 45 to + 80 $^{\circ}$ C.

Max altitude: 2000 m a.s.l.

Safety Description:



ATEX: II 3(1)G Ex nA [ja Ga] IIC T4 Gc, II (1)D [Ex ia Da] IIIC, I (M1) [Ex ia Ma] I

IECEX / INMETRO / NEPSI: Ex nA [ja Ga] IIC T4 Gc, [Ex ia Da] IIIC, [Ex ia Ma] I,

UL: NI / I / 2 / ABCD / T4, AIS / I, II, III / 1 / ABCDEFG, AEx nA [ja Ga] IIC T4 Gc

C-UL: NI / I / 2 / ABCD / T4, AIS / I, II, III / 1 / ABCDEFG, Ex nA [ja Ga] IIC T4 Gc X

EAC-EX: 2Ex nA [ja Ga] IIC T4 Gc X, [Ex ia Da] IIIC, [Ex ia Ma] I.

UKR TR n. 898: 2ExnAiaIIC T4 X, Exial X

associated apparatus and non-sparking electrical equipment.

D5072S-096: $U_o/V_o c = 7.2$ V, $I_o/I_s c = 23$ mA, $P_o/P_o = 40$ mW,

$U_i/V_{max} = 12.8$ V, $C_i = 0$ nF, $L_i = 0$ nH at terminals 7-8.

D5072D-096: $U_o/V_o c = 7.2$ V, $I_o/I_s c = 16$ mA, $P_o/P_o = 27$ mW,

$U_i/V_{max} = 12.8$ V, $C_i = 0$ nF, $L_i = 0$ nH at terminals 7-8, 11-12.

$U_m = 250$ Vrms or Vdc, -40 $^{\circ}$ C $\leq T_a \leq 70$ $^{\circ}$ C.

Approvals:

BVS 12 ATEX E 053 X conforms to EN60079-0, EN60079-11, EN60079-15.

IECEX BVS 12.0050X conforms to IEC60079-0, IEC60079-11, IEC60079-15.

INMETRO DNV 13.0110 X conforms to ABNT NBR IEC60079-0, ABNT NBR IEC60079-11, ABNT NBR IEC60079-15, ABNT NBR IEC60079-26.

UL & C-UL E222308 conforms to UL913, UL 60079-0, UL60079-11, UL60079-15, UL121201 for UL

and CSA-E60079-0, CSA-E60079-11, CSA-E60079-15 and CSA-C22.2 No. 213 for C-UL.

C-IT.MH62.B.04182 conforms to GOST R IEC 60079-0, GOST R IEC 60079-11, GOST R IEC 60079-15.

CU 16.0036 X conforms to DCTY 7113, GOCT 22782.5-78, DCTY IEC 60079-15.

GYJ14.1406X conforms to GB3836.1, GB3836.4; GB3836.8, GB3836.20.

TÜV Certificate No. C-IS-722160171, SIL 2 conforms to IEC61508:2010 Ed.2.

TÜV Certificate No. C-IS-236198-09, SIL 3 Functional Safety Certificate conforms to IEC61508:2010 Ed.2, for Management of Functional Safety.

Mounting:

EN/IEC60715 TH 35 DIN-Rail, with or without Power Bus.

Weight: about 135 g D5072D-096, 130 g D5072S-096.

Connection: by polarized plug-in disconnect screw terminal blocks to accommodate terminations up to 2.5 mm².

Location: installation in Safe Area/Non Hazardous Locations or Zone 2, Group IIC T4 or Class I, Division 2, Group A,B,C,D, T4 or Class I, Zone 2, Group IIC, T4.

Protection class: IP 20.

Dimensions: Width 12.5 mm, Depth 123 mm, Height 120 mm.

Programming

The module is fully programmable. Operating parameters can be changed from PC via PPC5092 adapter connected to USB serial line and SWC5090 software.

Measured values and diagnostic alarms can be read on both serial configuration or Modbus output line.

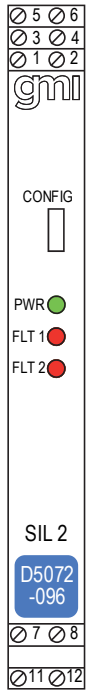
SWC5090 software also allows the Monitoring and Recording of values. For details please see SWC5090 manual ISM0154.

Ordering Information

Model:	D5072	-096
1 channel	S	
2 channels	D	

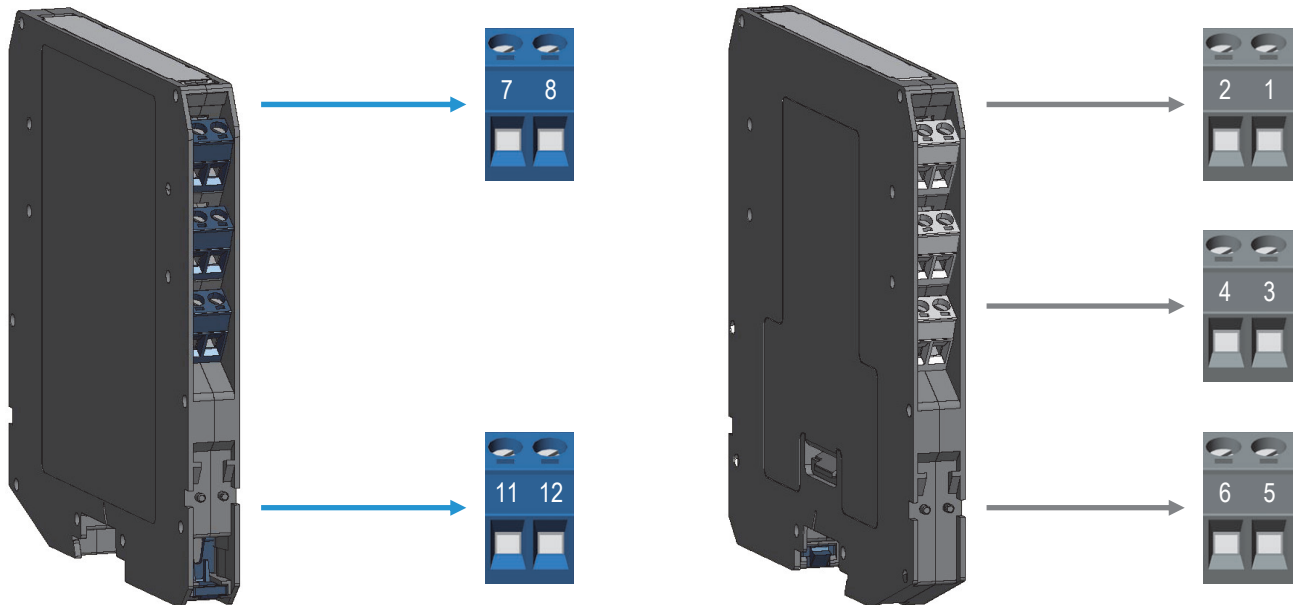
Power Bus and DIN-Rail accessories:
 Connector JDFT049 Cover and fix MCHP196
 Terminal block male MOR017 Terminal block female MOR022

Front Panel and Features



- SIL 2 according to IEC 61508:2010 (Route 2H) with $T_{proof} = 2 / 5$ years ($\leq 10\%$ / $> 10\%$ of total SIF).
- SC 3: Systematic Capability SIL 3.
- Input from Zone 0 (Zone 20) / Division 1, installation in Zone 2 / Division 2.
- mV or thermocouple Input Signal.
- Output duplication possible for D5072D-096.
- High Accuracy, μP controlled A/D converter.
- Three port isolation, Input/Output/Supply.
- EMC Compatibility to EN61000-6-2, EN61000-6-4, EN61326-1, EN61326-3-1 for safety system.
- ATEX, IECEx, UL & C-UL, INMETRO, EAC-EX, UKR TR n. 898, NEPSI, TÜV Certifications.
- High Density, two channels per unit.
- Simplified installation using standard DIN-Rail and plug-in terminal blocks, with or without Power Bus.
- 250 Vrms (U_m) max. voltage allowed to the instruments associated with the barrier.
- Data logging and monitoring via software.

Terminal block connections



HAZARDOUS AREA

- | | |
|-----------|--|
| 7 | +Input Ch1 for thermocouple TC or for millivolt source |
| 8 | -Input Ch1 for thermocouple TC or for millivolt source |
| 11 | +Input Ch2 for thermocouple TC or for millivolt source |
| 12 | -Input Ch2 for thermocouple TC or for millivolt source |

SAFE AREA

- | | |
|----------|----------------------|
| 1 | +Output Ch1 |
| 2 | -Output Ch1 |
| 3 | +Output Ch2 |
| 4 | -Output Ch2 |
| 5 | +Power Supply 24 Vdc |
| 6 | -Power Supply 24 Vdc |

Parameters Table

In the system safety analysis, always check the Hazardous Area/Hazardous Locations devices to conform with the related system documentation, if the device is Intrinsically Safe check its suitability for the Hazardous Area/Hazardous Locations and group encountered and that its maximum allowable voltage, current, power (U_i/V_{max} , I_i/I_{max} , P_i/P_i) are not exceeded by the safety parameters (U_o/V_{oc} , I_o/I_{sc} , P_o/P_o) of the D5072-096 series Associated Apparatus connected to it. Also consider the maximum operating temperature of the field device, check that added connecting cable and field device capacitance and inductance do not exceed the limits (C_o/C_a , L_o/L_a , L_o/R_o) given in the Associated Apparatus parameters for the effective group. See parameters indicated in the table below:

	D5072-096 Terminals		D5072-096 Associated Apparatus Parameters		Must be	Hazardous Area/ Hazardous Locations Device Parameters
D5072S-096	Ch1	7 - 8	$U_o / V_{oc} = 7.2 V$		\leq	U_i / V_{max}
D5072D-096	Ch1	7 - 8				
	Ch2	11 - 12				
D5072S-096	Ch1	7 - 8	$I_o / I_{sc} = 23 mA$		\leq	I_i / I_{max}
D5072D-096	Ch1	7 - 8	$I_o / I_{sc} = 16 mA$			
	Ch2	11 - 12				
D5072S-096	Ch1	7 - 8	$P_o / P_o = 40 mW$		\leq	P_i / P_i
D5072D-096	Ch1	7 - 8	$P_o / P_o = 27 mW$			
	Ch2	11 - 12				
	D5072-096 Terminals		D5072-096 Associated Apparatus Parameters Cenelec (US)		Must be	Hazardous Area/ Hazardous Locations Device + Cable Parameters
D5072S-096	Ch1	7 - 8	$C_o / C_a = 13.5 \mu F$	IIC (A, B)	\geq	$C_i / C_i \text{ device} + C \text{ cable}$
			$C_o / C_a = 240 \mu F$	IIB (C)		
			$C_o / C_a = 1000 \mu F$	IIA (D)		
			$C_o / C_a = 1000 \mu F$	I		
			$C_o / C_a = 240 \mu F$	IIIC (E, F, G)		
D5072D-096	Ch1	7 - 8	$C_o / C_a = 13.5 \mu F$	IIC (A, B)		
			$C_o / C_a = 240 \mu F$	IIB (C)		
			$C_o / C_a = 1000 \mu F$	IIA (D)		
	Ch2	11 - 12	$C_o / C_a = 1000 \mu F$	I		
			$C_o / C_a = 240 \mu F$	IIIC (E, F, G)		
D5072S-096	Ch1	7 - 8	$L_o / L_a = 67 mH$	IIC (A, B)	\geq	$L_i / L_i \text{ device} + L \text{ cable}$
			$L_o / L_a = 268 mH$	IIB (C)		
			$L_o / L_a = 537 mH$	IIA (D)		
			$L_o / L_a = 882 mH$	I		
			$L_o / L_a = 268 mH$	IIIC (E, F, G)		
D5072D-096	Ch1	7 - 8	$L_o / L_a = 138 mH$	IIC (A, B)		
			$L_o / L_a = 555 mH$	IIB (C)		
			$L_o / L_a = 1111 mH$	IIA (D)		
	Ch2	11 - 12	$L_o / L_a = 1822 mH$	I		
			$L_o / L_a = 555 mH$	IIIC (E, F, G)		
D5072S-096	Ch1	7 - 8	$L_o / R_o = 875 \mu H/\Omega$	IIC (A, B)	\geq	$L_i / R_i \text{ device and}$ $L \text{ cable} / R \text{ cable}$
			$L_o / R_o = 3500 \mu H/\Omega$	IIB (C)		
			$L_o / R_o = 7000 \mu H/\Omega$	IIA (D)		
			$L_o / R_o = 11480 \mu H/\Omega$	I		
			$L_o / R_o = 3500 \mu H/\Omega$	IIIC (E, F, G)		
D5072D-096	Ch1	7 - 8	$L_o / R_o = 1290 \mu H/\Omega$	IIC (A, B)		
			$L_o / R_o = 5160 \mu H/\Omega$	IIB (C)		
			$L_o / R_o = 10330 \mu H/\Omega$	IIA (D)		
	Ch2	11 - 12	$L_o / R_o = 16950 \mu H/\Omega$	I		
			$L_o / R_o = 5160 \mu H/\Omega$	IIIC (E, F, G)		

When used with separately powered intrinsically safe devices, check that maximum allowable voltage, current (U_i/V_{max} , I_i/I_{max}) of the D5072-096 Associated Apparatus are not exceeded by the safety parameters (U_o/V_{oc} , I_o/I_{sc}) of the Intrinsically Safe device, indicated in the table below:

	D5072-096 Terminals	D5072-096 Associated Apparatus Parameters	Must be	Hazardous Area/ Hazardous Locations Device Parameters
D5072S-096	Ch1 7 - 8	$U_i / V_{max} = 12.8 \text{ V}$	\geq	U_o / V_{oc}
D5072D-096	Ch1 7 - 8 Ch2 11 - 12			
D5072S-096	Ch1 7 - 8	$C_i = 0 \text{ nF}$, $L_i = 0 \text{ nH}$		
D5072D-096	Ch1 7 - 8 Ch2 11 - 12			

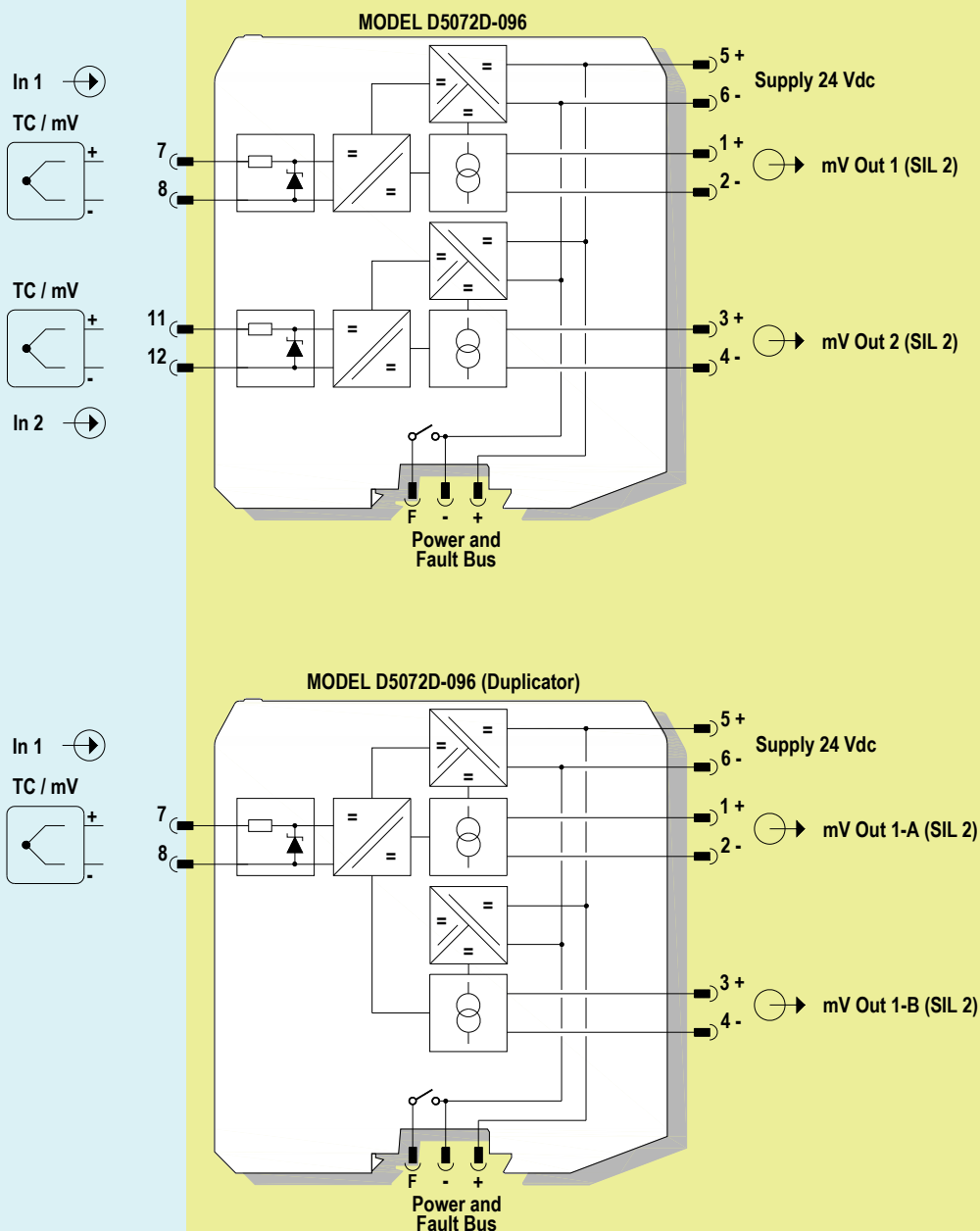
For installations in which both the C_i and L_i of the Intrinsically Safe apparatus exceed 1 % of the C_o and L_o parameters of the Associated Apparatus (excluding the cable), then 50 % of C_o and L_o parameters are applicable and shall not be exceeded (50 % of the C_o and L_o become the limits which must include the cable such that C_i device + C cable \leq 50 % of C_o and L_i device + L cable \leq 50 % of L_o). The reduced capacitance of the external circuit (including cable) shall not be greater than 1 μF for Groups I, IIA, IIB and 600 nF for Group IIC.

If the cable parameters are unknown, the following value may be used: Capacitance 200 pF per meter (60 pF per foot), Inductance 1 μH per meter (0.20 μH per foot).

Function Diagram

HAZARDOUS AREA ZONE 0 (ZONE 20) GROUP IIC,
HAZARDOUS LOCATIONS CLASS I, DIVISION 1, GROUPS A, B, C, D,
CLASS II, DIVISION 1, GROUPS E, F, G, CLASS III, DIVISION 1,
CLASS I, ZONE 0, GROUP IIC

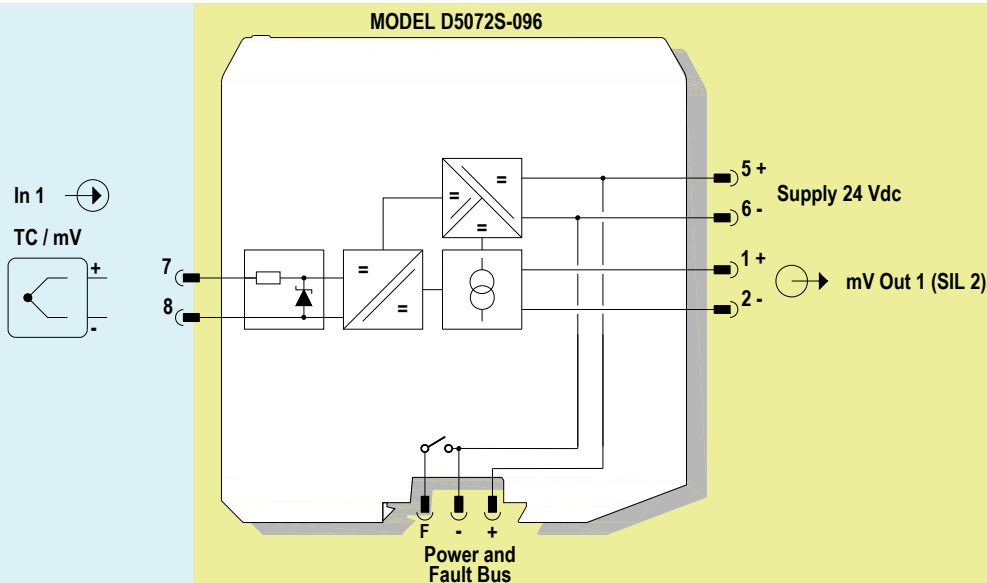
SAFE AREA, ZONE 2 GROUP IIC T4,
NON HAZARDOUS LOCATIONS, CLASS I, DIVISION 2,
GROUPS A, B, C, D T-Code T4, CLASS I, ZONE 2, GROUP IIC T4



Function Diagram

HAZARDOUS AREA ZONE 0 (ZONE 20) GROUP IIC,
HAZARDOUS LOCATIONS CLASS I, DIVISION 1, GROUPS A, B, C, D,
CLASS II, DIVISION 1, GROUPS E, F, G, CLASS III, DIVISION 1,
CLASS I, ZONE 0, GROUP IIC

SAFE AREA, ZONE 2 GROUP IIC T4,
NON HAZARDOUS LOCATIONS, CLASS I, DIVISION 2,
GROUPS A, B, C, D T-Code T4, CLASS I, ZONE 2, GROUP IIC T4



Warning

D5072-096 series are isolated Intrinsically Safe Associated Apparatus installed into standard EN/IEC60715 TH 35 DIN-Rail located in Safe Area or Zone 2, Group IIC, Temperature T4 Hazardous Area (according to EN/IEC60079-15) within the specified operating temperature limits Tamb -40 to +70 °C, and connected to equipment with a maximum limit for AC power supply Um of 250 Vrms or Vdc.

Not to be connected to control equipment that uses or generates more than 250 Vrms or Vdc with respect to earth ground.

D5072-096 series must be installed, operated and maintained only by qualified personnel, in accordance to the relevant national/international installation standards (e.g. EN/IEC60079-14 Electrical apparatus for explosive gas atmospheres - Part 14: Electrical installations in hazardous areas (other than mines)), following the established installation rules, particular care shall be given to segregation and clear identification of I.S. conductors from non I.S. ones.

De-energize power source (turn off power supply voltage) before plug or unplug the terminal blocks when installed in Hazardous Area or unless area is known to be nonhazardous.

Warning: substitution of components may impair Intrinsic Safety and suitability for Zone 2.

Explosion Hazard: to prevent ignition of flammable or combustible atmospheres, disconnect power before servicing or unless area is known to be nonhazardous.

Failure to properly installation or use of the equipment may risk to damage the unit or severe personal injury.

The unit cannot be repaired by the end user and must be returned to the manufacturer or his authorized representative. Any unauthorized modification must be avoided.

Operation

Each input channel of Temperature Signal Converter D5072-096 accepts a low level dc signal from millivolt or thermocouple sensor, located in Hazardous Area, and repeats, with isolation, the signal to Safe Area.

Presence of supply power is displayed by a "POWER ON" green signaling LED; integrity of field sensor and connecting line can be monitored by a configurable burnout circuit which, if enabled, can drive output signal to upscale or downscale limit. Burnout condition is signaled by red front panel LED for each channel.

D5072D-096 module has double input and output channel, and can also be programmed to interface a single input and obtain dual output channel (duplicator).

Installation

D5072-096 series are Temperature Signal Converter housed in a plastic enclosure suitable for installation on EN/IEC60715 TH 35 DIN-Rail, with or without Power Bus.

D5072-096 series can be mounted with any orientation over the entire ambient temperature range.

Electrical connection are accommodated by polarized plug-in removable screw terminal blocks which can be plugged in/out into a powered unit without suffering or causing any damage (for Zone 2 installations check the area to be nonhazardous before servicing). Connect only one individual conductor per each clamping point, use conductors up to 2.5 mm² (13 AWG) and a torque value of 0.5-0.6 Nm. Use only cables that are suitable for a temperature of at least 85°C. The wiring cables have to be proportionate in base to the current and the length of the cable. On the section "Function Diagram" and enclosure side a block diagram identifies all connections.

Intrinsically Safe conductors must be identified and segregated from non I.S. and wired in accordance to the relevant national/international installation standards (e.g. EN/IEC60079-14 Electrical apparatus for explosive gas atmospheres - Part 14: Electrical installations in hazardous areas (other than mines)), make sure that conductors are well isolated from each other and do not produce any unintentional connection.

The enclosure provides, according to EN60529, an IP20 minimum degree of protection (or similar to NEMA Standard 250 type 1). The unit shall be installed in an area of no more than pollution degree 2 according to EN/IEC60664-1. When installed in EU Zone 2, the unit shall be mounted in a certified Ex enclosure that provides a degree of protection not less than IP54 in accordance with EN/IEC60079-15. When installed in a Class I, Zone 2 Hazardous Location, the unit shall be mounted in a supplemental AEx or Ex enclosure that provides a degree of protection not less than IP54 in accordance with UL/CSA 60079-15. When installed in a Class I, Division 2 Hazardous Location, the unit shall be mounted in a supplemental enclosure that provides a degree of protection not less than IP54. The enclosure must have a door or cover accessible only by the use of a tool. The end user is responsible to ensure that the operating temperature of the module is not exceeded in the end use application.

Units must be protected against dirt, dust, extreme mechanical (e.g. vibration, impact and shock) and thermal stress, and casual contacts. If enclosure needs to be cleaned use only a cloth lightly moistened by a mixture of detergent in water.

Electrostatic Hazard: to avoid electrostatic hazard, the enclosure of D5072-096 must be cleaned only with a damp or antistatic cloth.

Any penetration of cleaning liquid must be avoided to prevent damage to the unit. Any unauthorized modification must be avoided.

D5072-096 series must be connected to SELV or SELV-E supplies.

All circuits connected to D5072-096 series must comply with the overvoltage category II (or better) according to EN/IEC60664-1.

Start-up

Before powering the unit check that all wires are properly connected, particularly supply conductors and their polarity, input and output wires, also check that Intrinsically Safe conductors and cable trays are segregated (no direct contacts with other non I.S. conductors) and identified either by color coding, preferably blue, or by marking.

Check conductors for exposed wires that could touch each other causing dangerous unwanted shorts.

Check that the module has been correctly configured through SWC5090 software. For details please see SWC5090 manual ISM0154.

Turn on power, the "power on" green LED must be lit, output on each channel must be in accordance with the corresponding input signal value and input/output chosen transfer function.

If possible change the sensor condition and check the corresponding Safe Area output.

Input specifications:

Input	Type	Standards	Min Span [°C (°F)]	Accuracy [°C (°F)]	Accuracy Range [°C (°F)]	Maximum Range [°C (°F)]	Temperature Influence per °C typical [°C (°F)]
TC	A1	GOST 8.585	150 (270)	±0.7 (±1.3)	0 to 2500 (32 to 4532)	0 to 2500 (32 to 4532)	≤ ±0.090 (≤ ±0.162)
	A2	GOST 8.585	100 (180)	±0.5 (±0.9)	0 to 1800 (32 to 3272)	0 to 1800 (32 to 3272)	≤ ±0.050 (≤ ±0.090)
	A3	GOST 8.585	100 (180)	±0.5 (±0.9)	0 to 1800 (32 to 3272)	0 to 1800 (32 to 3272)	≤ ±0.050 (≤ ±0.090)
	B	IEC 60584 GOST 8.585 ASTM E230	200 (360)	±1.1 (±2.0)	450 to 1820 (842 to 3308)	0 to 1820 (32 to 3308)	≤ ±0.060 (≤ ±0.108)
	C	ASTM E230 ASTM E988	100 (180)	±0.6 (±1.1)	0 to 2315 (32 to 4199)	0 to 2315 (32 to 4199)	≤ ±0.080 (≤ ±0.144)
	D	ASTM E988	100 (180)	±0.6 (±1.1)	0 to 2315 (32 to 4199)	0 to 2315 (32 to 4199)	≤ ±0.080 (≤ ±0.144)
	E	IEC 60584 GOST 8.585 ASTM E230	50 (90)	±0.2 (±0.4)	-150 to 1000 (-238 to 1832)	-270 to 1000 (-454 to 1832)	≤ ±0.050 (≤ ±0.090)
	J	IEC 60584 GOST 8.585 ASTM E230	50 (90)	±0.2 (±0.4)	-150 to 1200 (-238 to 2192)	-210 to 1200 (-346 to 2192)	≤ ±0.050 (≤ ±0.090)
	K	IEC 60584 GOST 8.585 ASTM E230	50 (90)	±0.3 (±0.5)	-150 to 1372 (-238 to 2502)	-270 to 1372 (-454 to 2502)	≤ ±0.050 (≤ ±0.090)
	L (type "L" DIN)	DIN 43710	50 (90)	±0.2 (±0.4)	-200 to 900 (-328 to 1652)	-200 to 900 (-328 to 1652)	≤ ±0.050 (≤ ±0.090)
	LR (type "L" GOST)	GOST 8.585	50 (90)	±0.3 (±0.5)	-200 to 800 (-328 to 1472)	-200 to 800 (-328 to 1472)	≤ ±0.050 (≤ ±0.090)
	N	IEC 60584 GOST 8.585 ASTM E230	50 (90)	±0.4 (±0.7)	-150 to 1300 (-238 to 2372)	-270 to 1300 (-454 to 2372)	≤ ±0.060 (≤ ±0.108)
	R	IEC 60584 GOST 8.585 ASTM E230	150 (270)	±0.8 (±1.4)	50 to 1768 (122 to 3214)	-50 to 1768 (-58 to 3214)	≤ ±0.060 (≤ ±0.108)
	S	IEC 60584 GOST 8.585 ASTM E230	150 (270)	±0.8 (±1.4)	50 to 1768 (122 to 3214)	-50 to 1768 (-58 to 3214)	≤ ±0.060 (≤ ±0.108)
	T	IEC 60584 GOST 8.585 ASTM E230	50 (90)	±0.2 (±0.4)	-100 to 400 (-148 to 752)	-270 to 400 (-454 to 752)	≤ ±0.020 (≤ ±0.036)
U	DIN 43710	50 (90)	±0.4 (±0.7)	-200 to 600 (-328 to 1112)	-200 to 600 (-328 to 1112)	≤ ±0.040 (≤ ±0.072)	
	Type		Min Span [mV]	Accuracy [µV]	Accuracy Range [mV]	Maximum Range [mV]	Temperature Influence per °C typical [µV]
mV	DC standard		1	±10	-10 to 80	-10 to 100	≤ ±3

Notes:

TC/mV Accuracy shown in slow acquisition mode, after calibration.