



INSTRUCTION MANUAL

SIL 2 Resistance Repeater, DIN-Rail
Models D6072S-087, D6072D-087



Characteristics

General Description:

The single and dual channel Isolating Repeater D6072S-087 and D6072D-087 accepts a resistance/RTD or transmitting potentiometer sensor and repeats the resistance, with isolation, suitable for applications requiring SIL 2 (according to IEC 61508:2010) in safety related systems for high risk industries.

Mounting on standard DIN-Rail, with or without Power Bus, in Safe Area / Non Hazardous Location or in Zone 2 / Class I, Division 2.

Fault Detection:

D6072S-087 and D6072D-087 modules are able to detect the breakage of any Input sensor line (Burnout).

Functional Safety Management Certification:

G.M. International is certified by TÜV to conform to IEC61508:2010 part 1 clauses 5-6 for safety related systems up to and included SIL3.



Technical Data

Supply:

Voltage: 24 Vdc nom (18 to 30 Vdc) reverse polarity protected, ripple within voltage limits ≤ 5 Vpp, 2 A time lag fuse internally protected.

Current consumption @ 24 V: 35 mA (D6072S-087), 37 mA (D6072D-087) typical with 1 mA excitation current.

Power dissipation @ 24 V: 0.85 W (D6072S-087), 0.9 W (D6072D-087) typical with 1 mA excitation current.

Isolation:

Test voltage: In/Out 2.5 KV; In/Supply 2.5 KV; In/In 500 V; Out/Supply 500 V; Out/Out 500 V.

Input:

Type: 2-3-4 wire (4 wire only for D6072S-087) RTD/Resistance or 2-wire transmitting potentiometer.

Integration time: from 50 ms to 500 ms depending on sensor and fast/slow integration.

Resolution: 10 m Ω .

Input range: 0 to 4 k Ω .

Measuring RTD current: ≤ 0.15 mA.

Fault:

Type: Burnout / Internal fault. Output reflects fault condition via highscales (450 Ω) value forcing. Fault condition is also signaled via BUS and red LED on front panel.

Output:

Type: 2-3-4 wire (4 wire only for D6072S-087) Resistance.

Transfer characteristic: linear or custom; optional using of multiplication factor.

Response time: 10 to 90 % step: ≤ 10.0 ms (slow integration time), ≤ 1.2 ms (fast integration time).

Output range: 0 to 400 Ω .

Excitation current (I_e): 0.1 to 10 mA.

Performance:

Ref. Conditions: 24 V supply, 23 ± 1 °C ambient temperature, slow integration mode, 4 wires (for D6072S-087) or 3 wires (for D6072D-087) configuration for RTD, input/output range 10 to 400 Ω .

Input to output, after calibration:

Calibration and linearity accuracy with input standard range:

< 200 m Ω typical (Excitation Current ≥ 1 mA);

< 300 m Ω typical (0.5 mA \leq Excitation Current < 1 mA).

Temperature influence with input standard range:

± 20 m Ω /°C, typical (Excitation Current ≥ 1 mA).

Compatibility:

 CE mark compliant, conforms to Directives: 2014/34/EU ATEX, 2014/30/EU EMC, 2014/35/EU LVD, 2011/65/EU RoHS.

Environmental conditions:

Operating: temperature limits – 40 to + 70 °C, relative humidity 95 %, up to 55 °C.

Max altitude: 2000 m a.s.l.

Storage: temperature limits – 45 to + 80 °C.

Safety Description:



ATEX: II 3G Ex ec IIC T4 Gc; **IECEx:** Ex ec IIC T4 Gc

UL: NI / I / 2 / ABCD / T4; **C-UL:** NI / I / 2 / ABCD / T4

EAC-EX: 2Ex ec IIC T4 Gc X

Approvals:

BVS 20 ATEX E 059 X conforms to EN60079-0, EN60079-7, IECEx BVS 20.0047X conforms to IEC60079-0, IEC60079-7.

UL & C-UL E222308 conforms to UL 61010-1 and UL 121201 for UL and CAN/CSA C22.2 No.61010-1-12 and CSA C22.2 No. 213 for C-UL.

EAЭC RU C-IT.AA87.B.00796/21 conforms to GOST 31610.0, GOST 31610.7.

TÜV Certificate No. C-IS-722160171, SIL 2 conforms to IEC61508:2010 Ed.2.

SIL 3 Functional Safety TÜV Certificate conforms to IEC61508:2010 Ed.2, for Management of Functional Safety.

Mounting:

EN/IEC60715 TH 35 DIN-Rail, with or without Power Bus.

Weight: about 135 g D6072D-087, 130 g D6072S-087.

Connection: by polarized plug-in disconnect screw terminal blocks to accommodate terminations up to 2.5 mm².

Location: installation in Safe Area/Non Hazardous Locations or Zone 2, Group IIC T4 or Class I, Division 2, Group A,B,C,D, T4.

Protection class: IP 20.

Dimensions: Width 12.5 mm, Depth 123 mm, Height 120 mm.

Programming

The module is fully programmable. Operating parameters can be changed from PC via PPC5092 adapter connected to USB serial line and SWC5090 software.

Measured values and diagnostic alarms can be read on both serial configuration or Modbus output line.

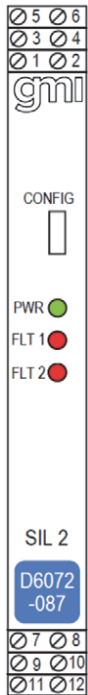
SWC5090 software also allows the Monitoring and Recording of values. For details please see SWC5090 manual ISM0154.

Ordering Information

Model:	D6072	-087
1 channel	S	
2 channels	D	

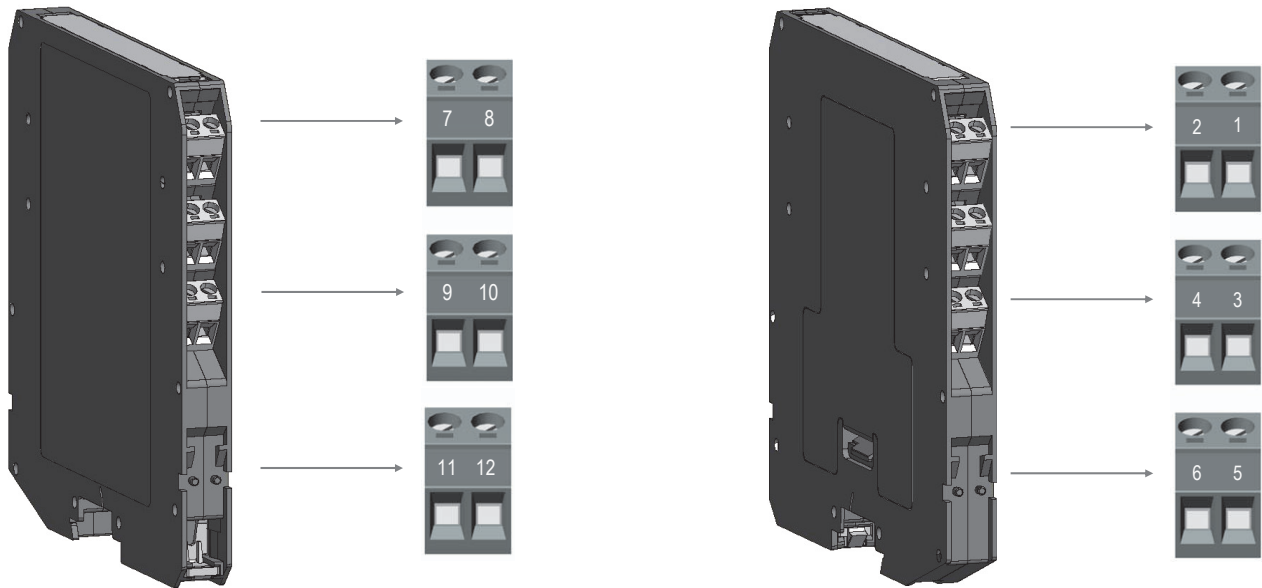
Power Bus and DIN-Rail accessories:
 Connector JDFT049 (mandatory for D6072D-087, optional for D6072S-087)
 Bus Mounting Kit OPT5096 (mandatory for D6072D-087, optional for D6072S-087)

Front Panel and Features



- SIL 2 according to IEC 61508:2010 (Route 2H) with Tproof = 9 / 20 years ($\leq 10\%$ / $> 10\%$ of total SIF).
- SC 3: Systematic Capability SIL 3.
- Installation in Zone 2 / Division 2.
- 2 or 3 or 4 wire resistance/RTD or 2 wire transmitting potentiometer Input Signal.
- Burnout Fault detection.
- Three port isolation, Input/Output/Supply.
- EMC Compatibility to EN61000-6-2, EN61000-6-4, EN61326-1, EN61326-3-1 for safety systems.
- ATEX, IECEx, UL & C-UL, EAC-EX, TÜV Certifications.
- TÜV Functional Safety Certification.
- Simplified installation using standard DIN-Rail and plug-in terminal blocks, with or without Power Bus.

Terminal block connections

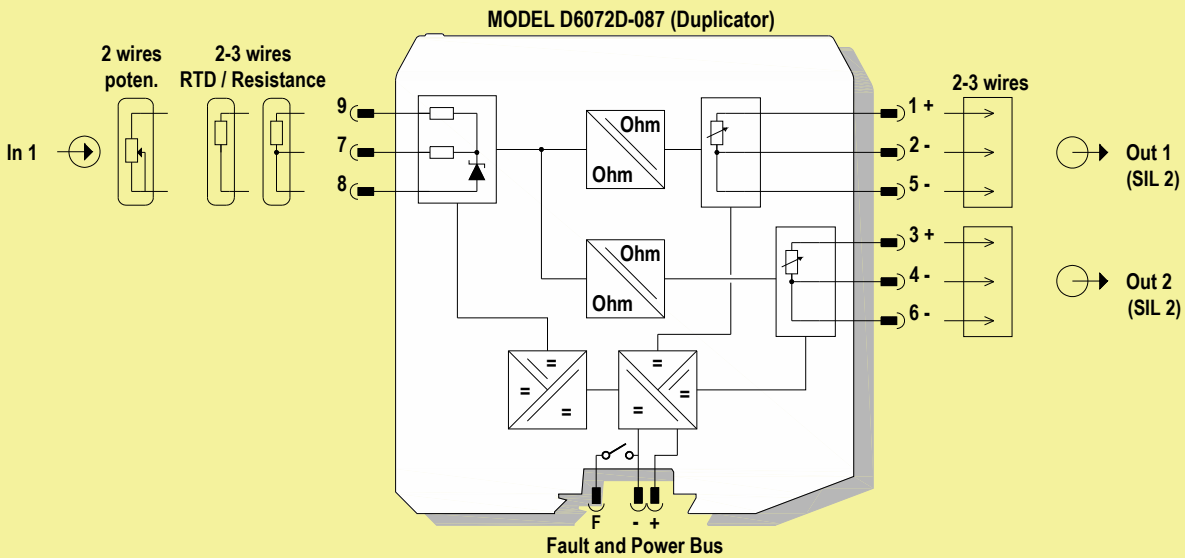
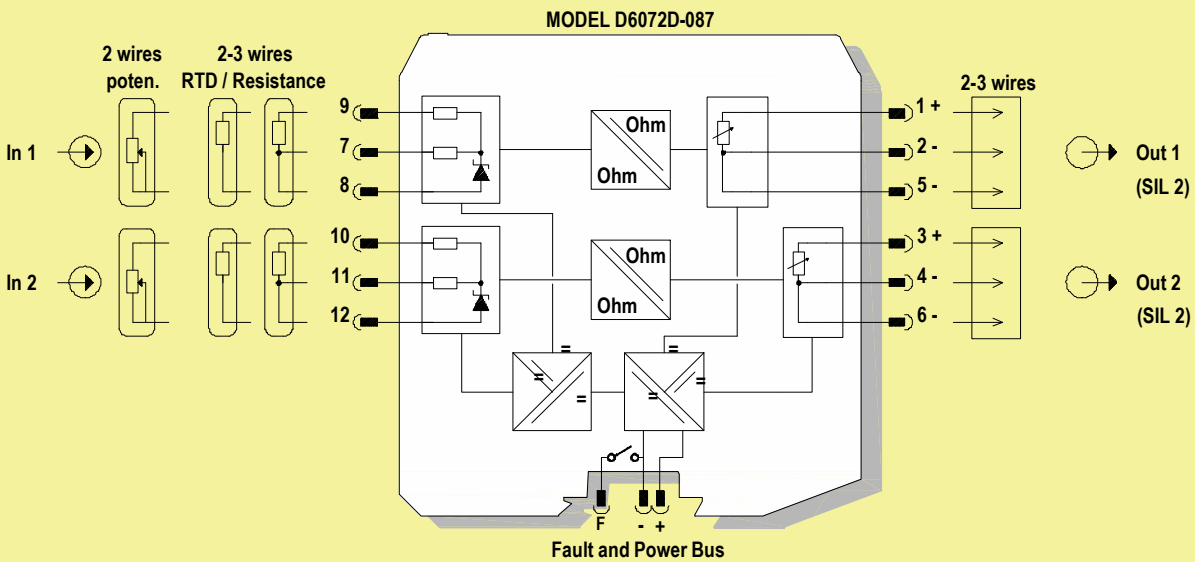
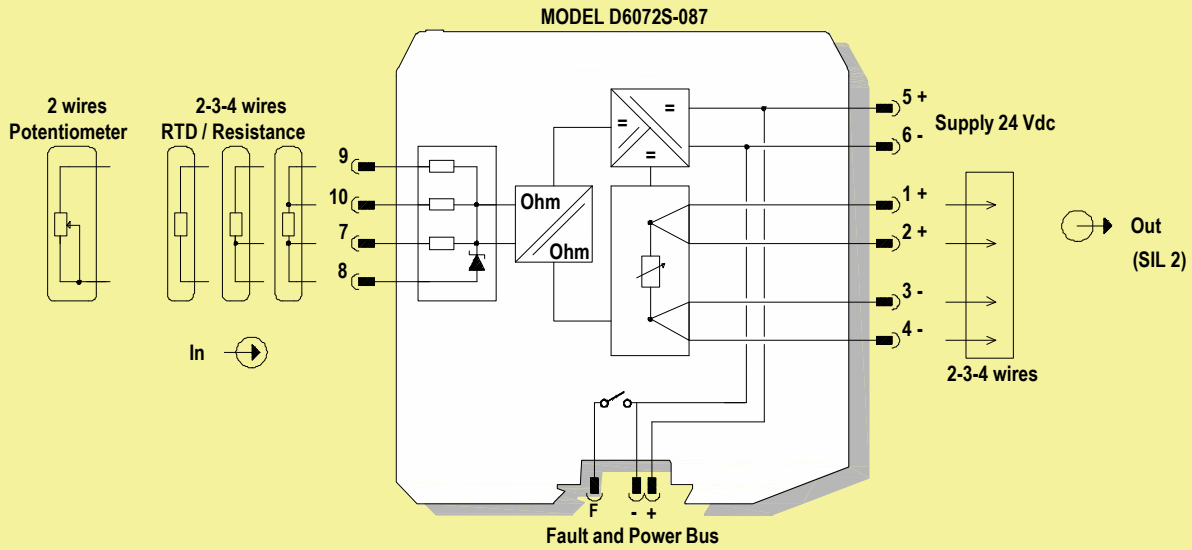


- | | |
|----|---|
| 7 | D6072S-087: Input for 3, 4 wire RTD
D6072D-087: Input Ch1 for 3 wire RTD |
| 8 | D6072S-087: Input for 2, 3, 4 wire RTD or potentiometer
D6072D-087: Input Ch1 for 2, 3 wire RTD or potentiometer |
| 9 | D6072S-087: Input for 2, 3, 4 wire RTD or potentiometer
D6072D-087: Input Ch1 for 2, 3 wire RTD or potentiometer |
| 10 | D6072S-087: Input for 4 wire RTD
D6072D-087: Input Ch2 for 2, 3 wire RTD or potentiometer |
| 11 | D6072D-087: Input Ch2 for 3 wire RTD |
| 12 | D6072D-087: Input Ch2 for 2, 3 wire RTD or potentiometer |

- | | |
|---|---|
| 1 | D6072S-087: +Output for 3, 4 wire RTD
D6072D-087: +Output Ch1 for 2, 3 wire RTD |
| 2 | D6072S-087: +Output for 2, 3, 4 wire RTD
D6072D-087: -Output Ch1 for 2, 3 wire RTD |
| 3 | D6072S-087: -Output for 2, 3, 4 wire RTD
D6072D-087: +Output Ch2 for 2, 3 wire RTD |
| 4 | D6072S-087: -Output for 4 wire RTD
D6072D-087: -Output Ch2 for 2, 3 wire RTD |
| 5 | D6072S-087: +Power Supply 24 Vdc
D6072D-087: -Output Ch1 for 3 wire RTD |
| 6 | D6072S-087: -Power Supply 24 Vdc
D6072D-087: -Output Ch2 for 3 wire RTD |

Function Diagram

SAFE AREA, ZONE 2 GROUP IIC T4,
NON HAZARDOUS LOCATIONS, CLASS I, DIVISION 2,
GROUPS A, B, C, D T-Code T4



Warning

D6072-087 series are isolated apparatus installed into standard EN/IEC60715 TH 35 DIN-Rail located in Safe Area/Non Hazardous Locations or Zone 2, Group IIC T4 or Class I, Division 2, Group A, B, C, D, T4 Hazardous Area within the specified operating temperature limits Tamb -40 to +70 °C.

D6072-087 series must be installed, operated and maintained only by qualified personnel, in accordance to the relevant national/international installation standards (e.g. EN/IEC60079-14 Electrical apparatus for explosive gas atmospheres - Part 14: Electrical installations in hazardous areas (other than mines)), following the established installation rules.

De-energize power source (turn off power supply voltage) before plug or unplug the terminal blocks when installed in Hazardous Area or unless area is known to be nonhazardous.

Warning: substitution of components may impair suitability for Zone 2/ Division 2. Avertissement: la substitution des composants peut nuire à l'aptitude à la Zone 2/Div. 2. Explosion Hazard: to prevent ignition of flammable atmospheres, disconnect power before servicing or unless area is known to be nonhazardous. Danger d'Explosion: pour éviter l'inflammation d'atmosphères inflammables, débrancher l'alimentation avant l'entretien ou à moins que région est connue pour être non dangereuse.

Failure to properly installation or use of the equipment may risk to damage the unit or severe personal injury.

The unit cannot be repaired by the end user and must be returned to the manufacturer or his authorized representative. Any unauthorized modification must be avoided.

Operation

Each input channel of Resistance Isolating Repeater D6072-087 accepts a 2-3-4 wire RTD (D6072S-087) or 2-3 wire RTD (D6072D-087) temperature or transmitting potentiometer sensor and repeats, with isolation, the signal to drive a load. Presence of supply power is displayed by a "POWER ON" green signaling LED. Burnout condition is signaled by red front panel LED for each channel. D6072D-087 module has double input and output channel, and can also be programmed to interface a single input and obtain dual output channel (duplicator) or configurable output channel (outputs can repeat the corresponding inputs).

Installation

D6072-087 series are Temperature Signal Converter housed in a plastic enclosure suitable for installation on EN/IEC60715 TH 35 DIN-Rail, with or without Power Bus.

D6072-087 series can be mounted with any orientation over the entire ambient temperature range.

Electrical connection are accommodated by polarized plug-in removable screw terminal blocks which can be plugged in/out into a powered unit without suffering or causing any damage **(for Zone 2 installations check the area to be nonhazardous before servicing)**. Connect only one individual conductor per each clamping point, use conductors up to 2.5 mm² (13 AWG) and a torque value of 0.5-0.6 Nm. Use only cables that are suitable for a temperature of at least 85°C. The wiring cables have to be proportionate in base to the current and the length of the cable.

In case of installation in zone 2, the connecting cables of non-intrinsically safe circuits must be safely routed in a cable duct or similar. The distance between the pluggable connection terminal and the cable duct should not exceed 500 mm cable length.

On the section "Function Diagram" and enclosure side a block diagram identifies all connections.

The enclosure provides, according to EN60529, an IP20 minimum degree of protection. The equipment shall only be used in an area of at least pollution degree 2, as defined in IEC 60664-1. When installed in EU Zone 2, the unit shall be installed in an enclosure that provides a minimum ingress protection of IP54 in accordance with IEC 60079-0. When installed in a Class I, Division 2 Hazardous Location, the unit shall be mounted in a supplemental enclosure that provides a degree of protection not less than IP54. The enclosure must have a door or cover accessible only by the use of a tool. The end user is responsible to ensure that the operating temperature of the module is not exceeded in the end use application.

Units must be protected against dirt, dust, extreme mechanical (e.g. vibration, impact and shock) and thermal stress, and casual contacts. If enclosure needs to be cleaned use only a cloth lightly moistened by a mixture of detergent in water.

Electrostatic Hazard: to avoid electrostatic hazard, the enclosure of D6072-087 must be cleaned only with a damp or antistatic cloth.

Any penetration of cleaning liquid must be avoided to prevent damage to the unit. Any unauthorized modification must be avoided.

D6072-087 series must be connected to SELV or PELV supplies.

All circuits connected to D6072-087 series must comply with the overvoltage category II (or better) according to EN/IEC60664-1.

Start-up

Before powering the unit check that all wires are properly connected, particularly supply conductors and their polarity, input and output wires. Check conductors for exposed wires that could touch each other causing dangerous unwanted shorts.

Check that the module has been correctly configured through SWC5090 software. For details please see SWC5090 manual ISM0154.

Turn on power, the "power on" green led must be lit, output must be in accordance with the corresponding input signal value. If possible change the sensor condition and check the corresponding output.