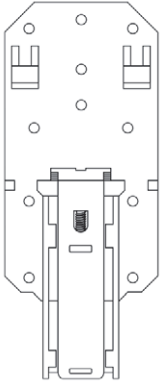
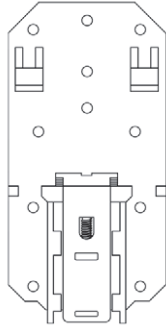


TBE-FIX-MT-xxx: Metal DIN-Rail clip installation on termination board enclosure

The following figures shown two models of Metal DIN-Rail clip related to two different TBE-FIX-MT sets:

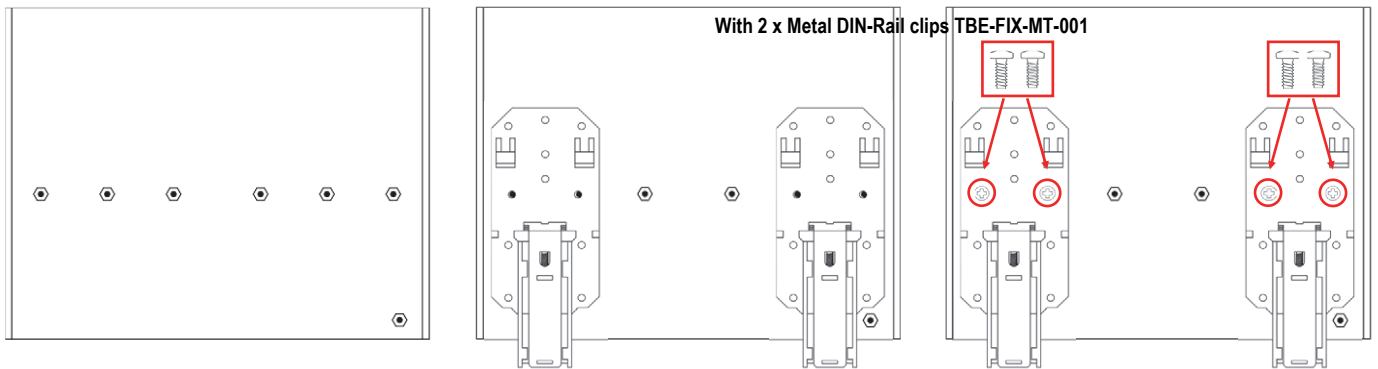


Metal DIN-Rail clip of TBE-FIX-MT-001

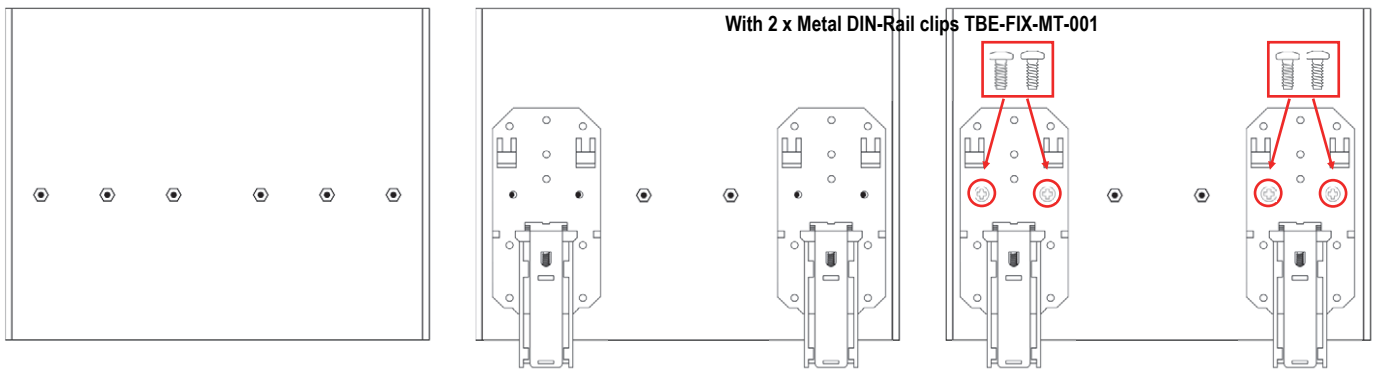


Metal DIN-Rail clip of TBE-FIX-MT-002

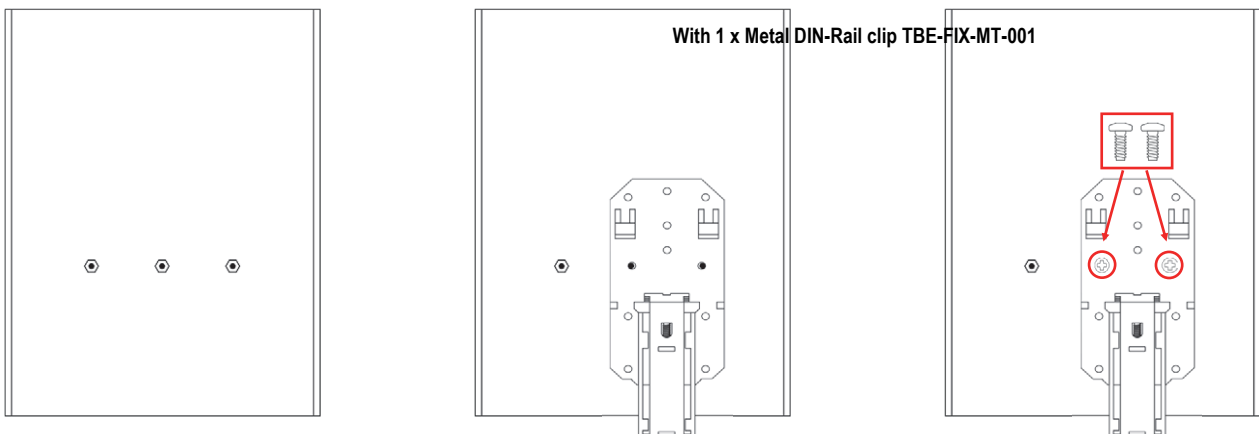
For the termination boards **TB-D5016-TRI-010** and **TBE-D5016-TRI-010**, place the enclosure as shown in the following figures and fix each Metal DIN-Rail clip to enclosure by 2 x M3 (10 mm) screws included on TBE-FIX-MT-001 set:



For the termination boards **TBE-D5016-TRI-xxx** (with xxx different from 010) and **TBE-D5016-GMI-xxx**, place the enclosure as shown in the following figures and fix each Metal DIN-Rail clip to enclosure by 2 x M3 (10 mm) screws included on TBE-FIX-MT-001 set:



For the termination board **TBE-D5008-TRI-xxx** and **TBE-D5008-GMI-xxx**, place the enclosure as shown in the following figures and fix Metal DIN-Rail clip to enclosure by 2 x M3 (10 mm) screws included on



TBE-FIX-MT-xxx: Metal DIN-Rail clip installation on termination board enclosure

For the termination boards TBE-D5001-HRT-xxx and TBE-D5001-TRI-xxx, place the enclosure as shown in the following figures and fix each Metal DIN-Rail clip to enclosure by 2 x M3 (10 mm) screws included on TBE-FIX-MT-002 set:

With 2 x Metal DIN-Rail clips TBE-FIX-MT-002

