

Characteristics:

General description:

This Termination Board (TB) provides direct connection between the I/O Card of the system and D5000 Series modules. Intrinsically Safe protection and signal isolation between Safe and Hazardous Area are provided by D5000 Series Associated Apparatus. 24 Vdc Power Supply of the TB is connected to two plug-in terminal blocks, for a redundant power supply. The power supply for modules is given by TB power bus.

Termination Board general characteristics:

Termination Board Model	Number of positions	Features
TB-D5016-TRI-006	16	1) Power Supply voltage redundancy; 2) Abnormal supply voltage signaling; 3) Cumulative module fault signaling.

Supported TMR I/O Cards:

I/O Card Model	I/O Card Type	Number of channels per I/O Card	Number of I/O Cards per board	Number of channels per board	Supported GM Modules
3503E 3505E	Digital In	32	1 (*)	16	D5031S D5032S D5093S
3503E 3505E	Digital In	32	1	32	D5031D D5032D D5093D

(*) Two TB-D5016-TRI-006 boards are necessary to provide 32 channels to I/O card (16 channels each).

Features:

- 3503E, 3505E DI Cards, 32 ch. board interfaces.
- 16 positions Termination Board for up to 32 channels.
- Lower cables installation and maintenance costs.
- Power supplies fault monitoring.
- Spare fuse provided.
- Mounting hardware provided for:
 - Wall mounting, M4 thread screw;
 - Wall mounting, M4 self tapping screw;
 - Single Din Rail mounting kit.

Ordering Information:

Model: TB-D5016-TRI-006

Technical Data:

Supply:

24 Vdc nom (20 to 30 Vdc) reverse polarity protected, double terminal blocks for redundant power supply, with OR diodes to mix supply voltages.
Connection: by polarized plug-in disconnect screw terminal blocks to accommodate terminations up to 2.5 mm².
2 LEDs indication: green color, one for supply 1 and one for supply 2.
Protection fuse: 2 A time lag (spare fuse provided on Termination Board).

Fault detection:

1) Preventive - abnormal supply voltage: supply 1 or supply 2 is < 18 Vdc (Under Voltage, UV) or > 30 Vdc (Over Voltage, OV).
2) Critical - abnormal supply voltages or cumulative fault: both supplies are in under (< 18 Vdc) or over (> 30 Vdc) voltage condition OR cumulative fault indication (about presence of short or open field circuit for any DO channel).
LED fault signaling (for both case 1 and 2): 2 red LEDs (UV and OV of supply 1); 2 red LEDs (UV and OV of supply 2); a cumulative fault red LED.
Relay fault signaling (one for each case 1 or 2): a voltage free NE SPDT - 1 Form C relay contacts (de-energized in fault condition), with the following characteristics:
Contact material: AgCdO.
Contact rating: 2 A 36 Vac 72 VA, 2 A 48 Vdc 80 W (resistive load).
Mechanical / Electrical life: 30 * 10⁶ / 1 * 10⁵ operation, typical.
Coil status LED indication: yellow color, turn on when coil is energized.
Connection: by polarized plug-in disconnect screw terminal blocks to accommodate terminations up to 2.5 mm².

I/O card interface:

Connection:
Two ELCO 8016, 56 poles receptacle connectors (require plug mating connectors).

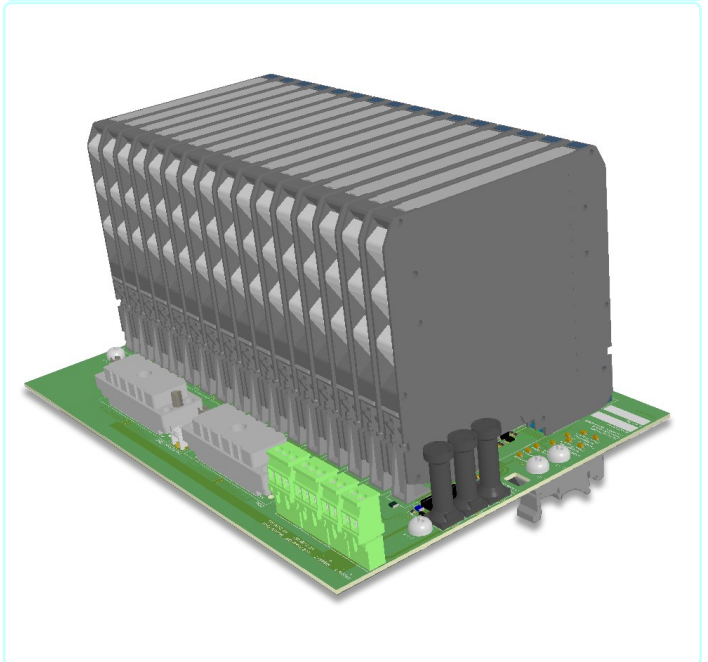
Environmental conditions:

Operating: temperature limits – 40 to + 70 °C, relative humidity max 90 % non condensing, up to 35 °C.
Storage: temperature limits – 45 to + 80 °C.

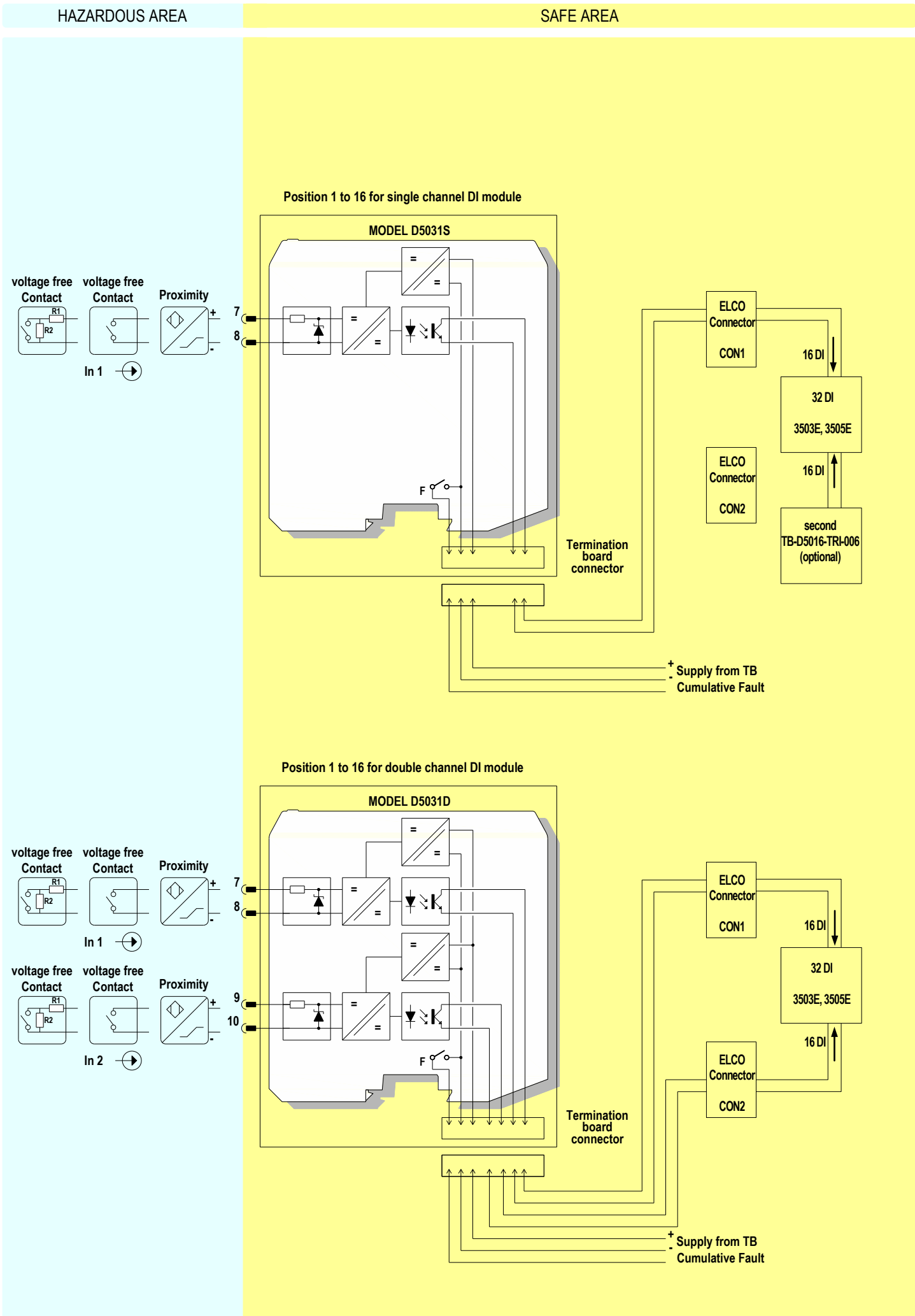
Mounting:

Hardware included for mounting on wall and single DIN rail.
Weight: about 400 g (excluding modules and mounting options).
Location: Safe Area / Ordinary locations.
Dimensions: Width 267 mm, Depth 176 mm, Height 125 mm.

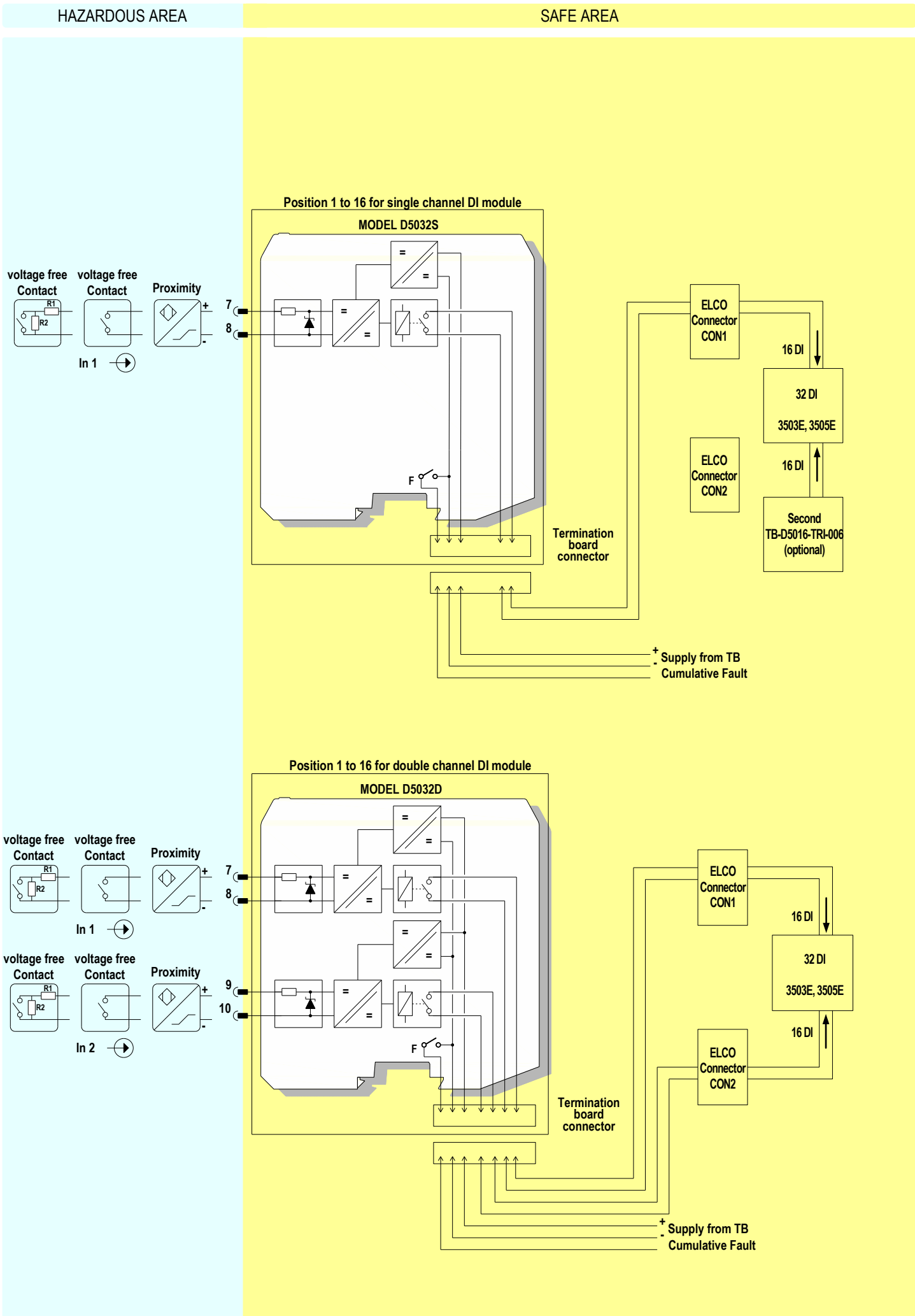
Image:



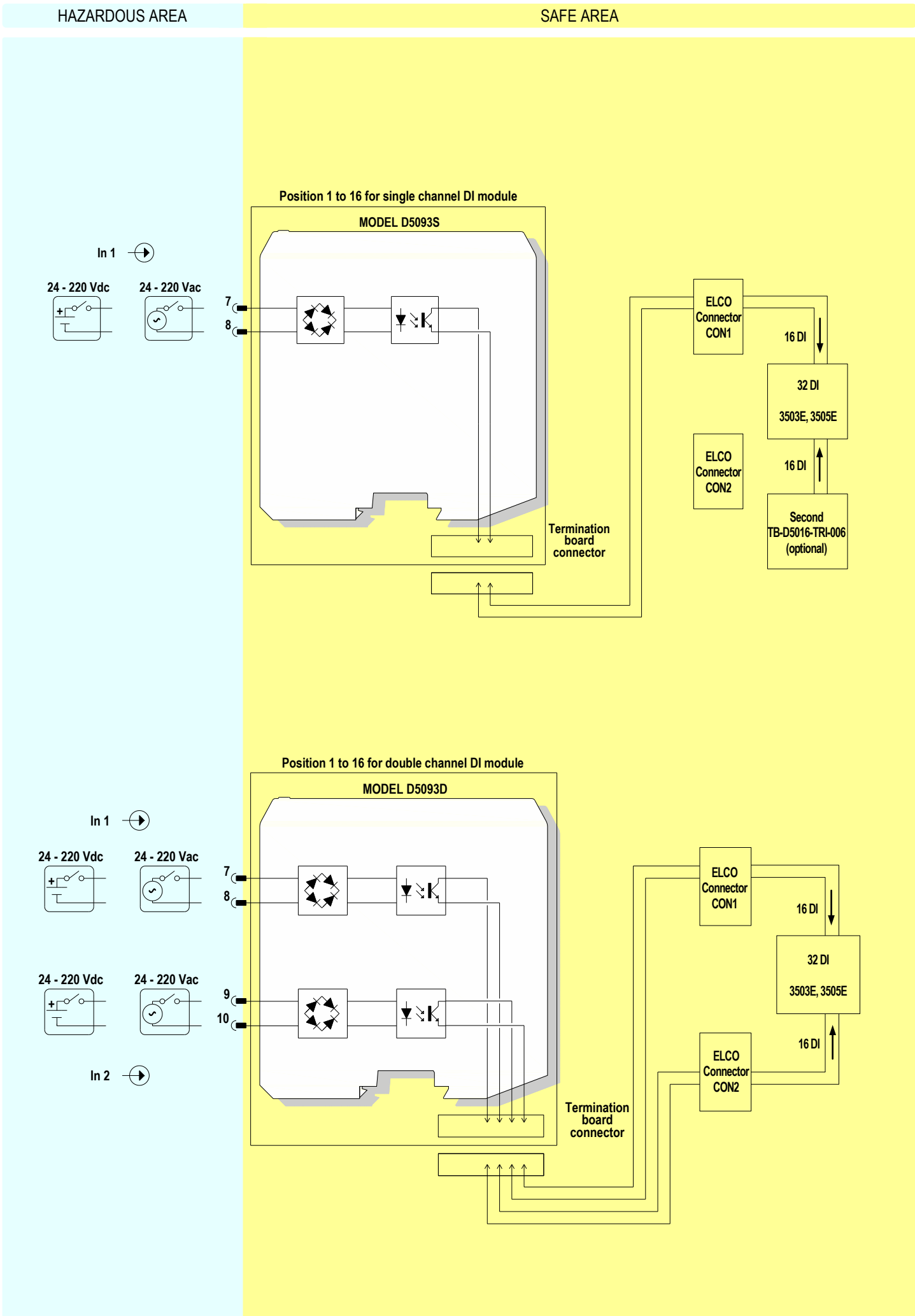
Loop Diagrams for 3503E, 3505E (32 DI) Interface Cards:



Loop Diagrams for 3503E, 3505E (32 DI) Interface Cards:



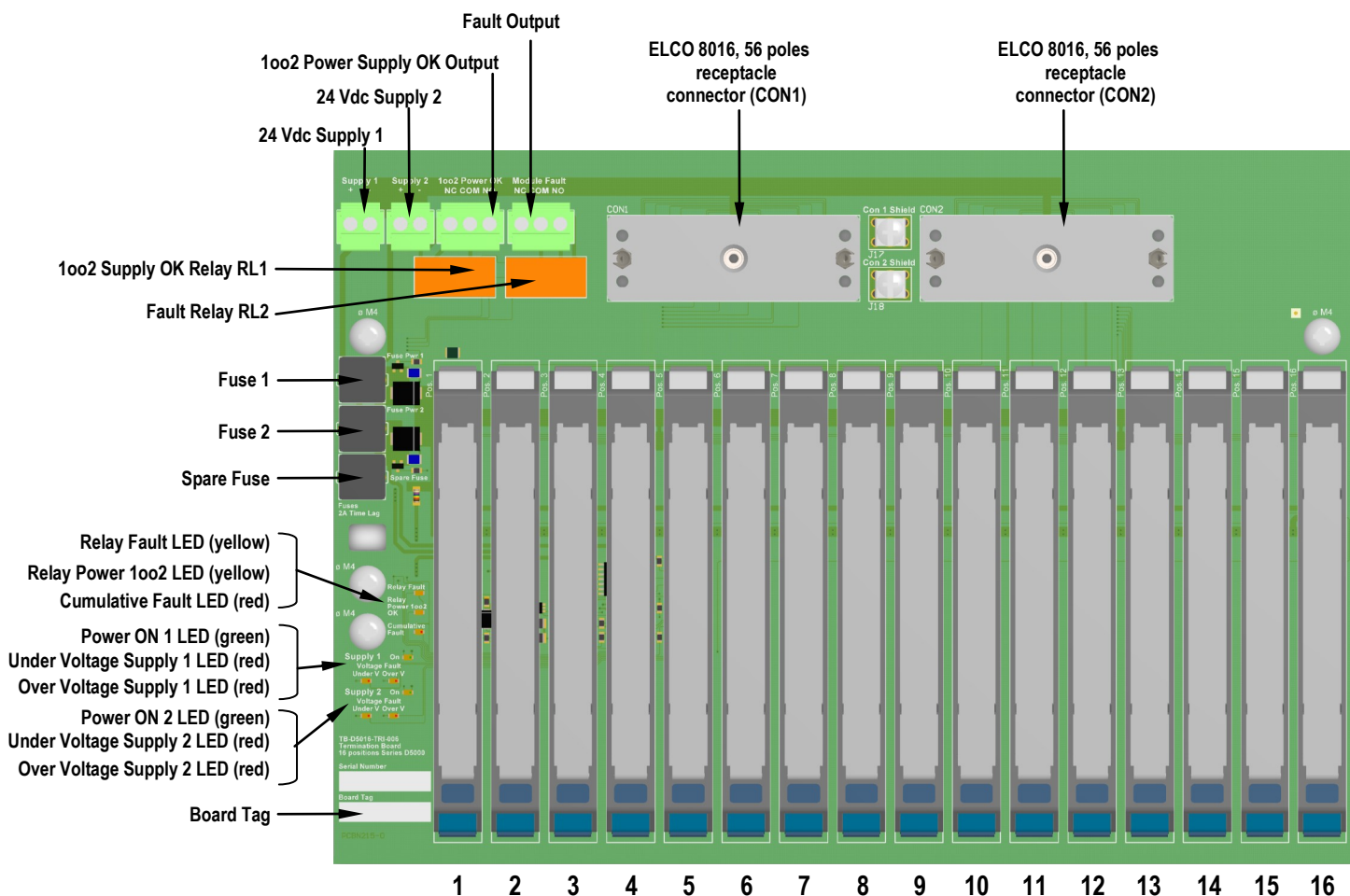
Loop Diagrams for 3503E, 3505E (32 DI) Interface Cards:



SAFE AREA / ORDINARY LOCATION

Note:

Relay contact is defined Normally Closed (NC) or Normally Open (NO) when RL1 or RL2 relays are de-energized (that is, coil status LED is turned off).
Relay is de-energized in fault status.



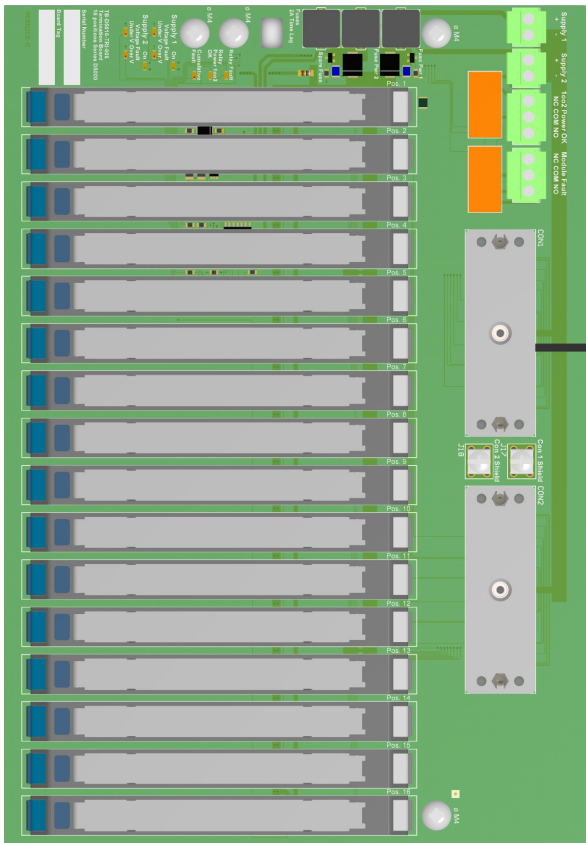
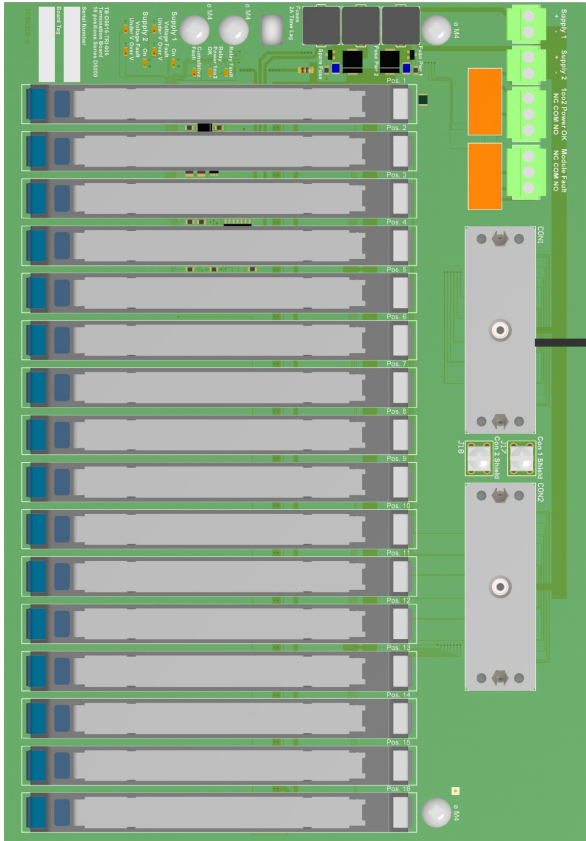
HAZARDOUS AREA / LOCATION

Termination Board Connections (for single channel modules):

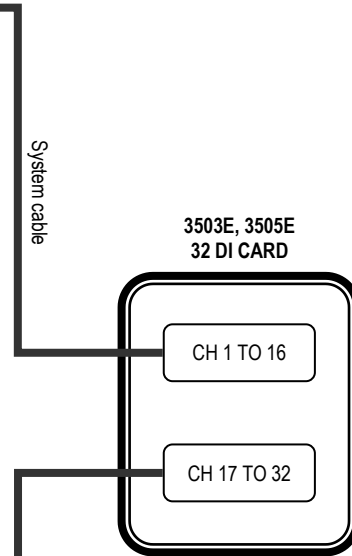
Configuration:

Board	I/O Card Ch	ELCO
First	1-16	Small key Pos. 1 Large key Pos 3
Second	17-32	Small key Pos. 1 Large key Pos 3

First Board for channels 1 to 16



Second Board for channels 17 to 32



HAZARDOUS AREA / LOCATION

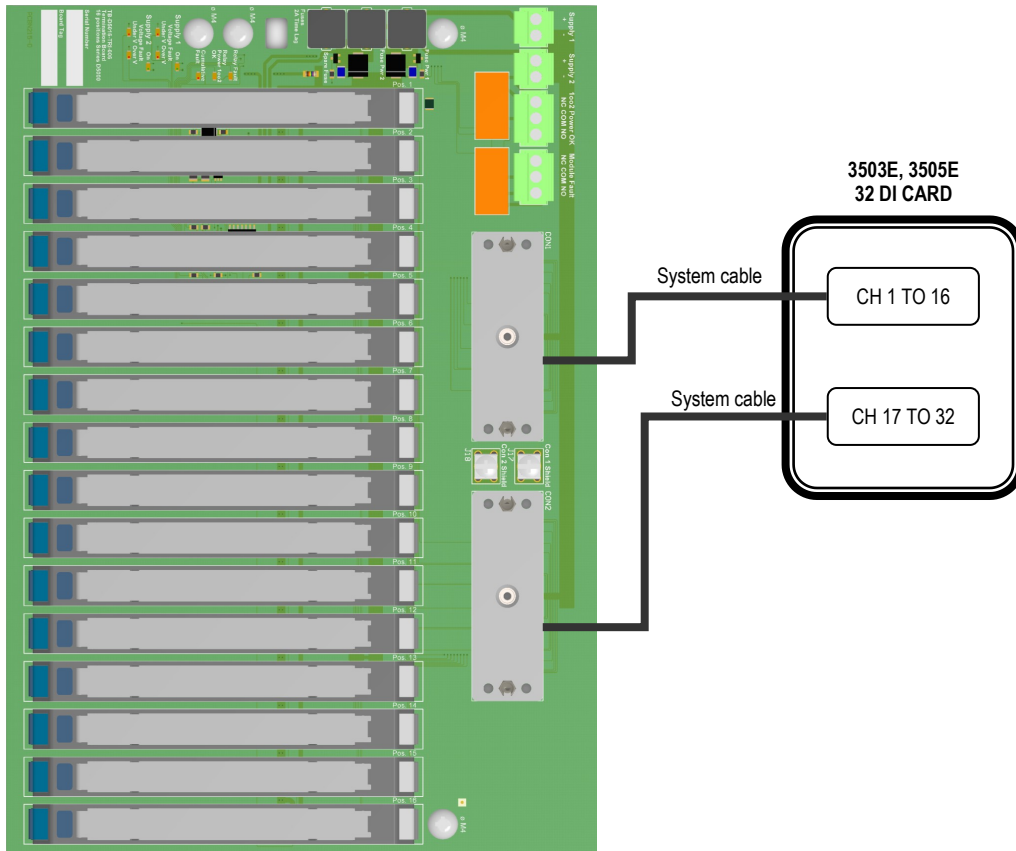
SAFE AREA / ORDINARY LOCATION

Termination Board Connections (for double channel modules):

ELCO Configuration:

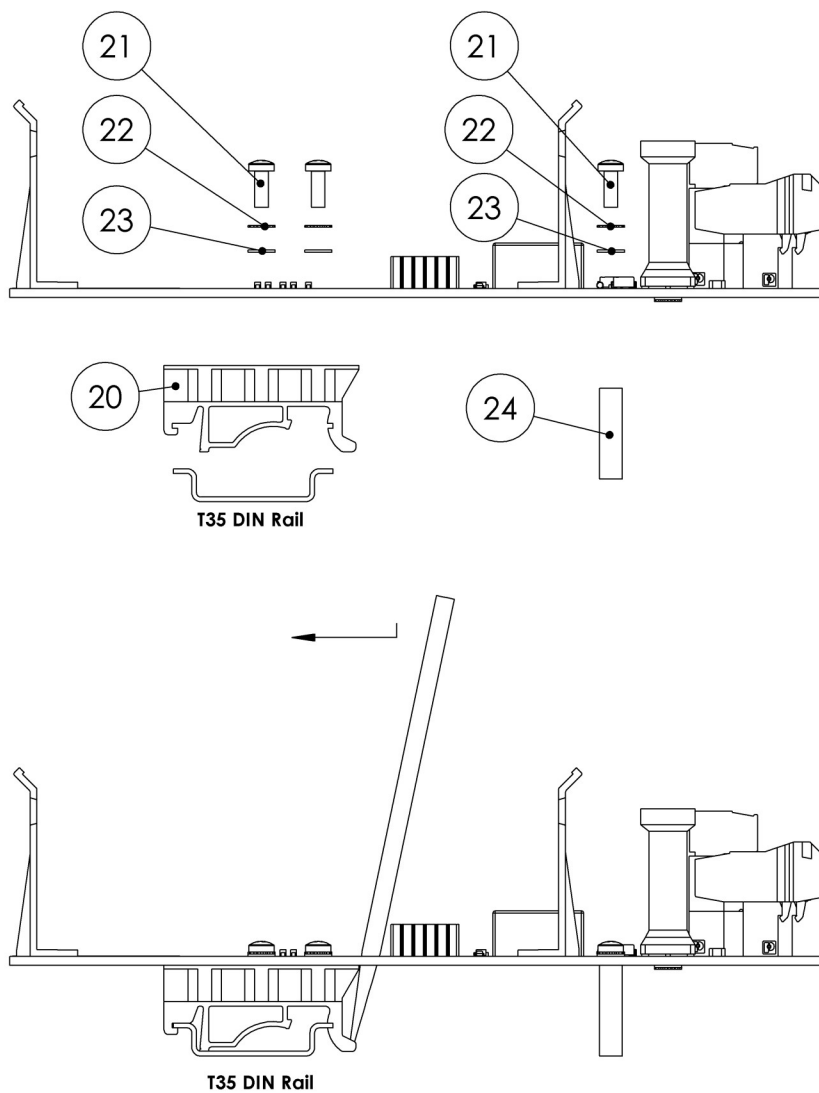
CON	I/O Card Ch	ELCO
CON1	1-16	Small key Pos. 1 Large key Pos 3
CON2	17-32	Small key Pos. 1 Large key Pos 3

HAZARDOUS AREA / LOCATION



SAFE AREA / ORDINARY LOCATION

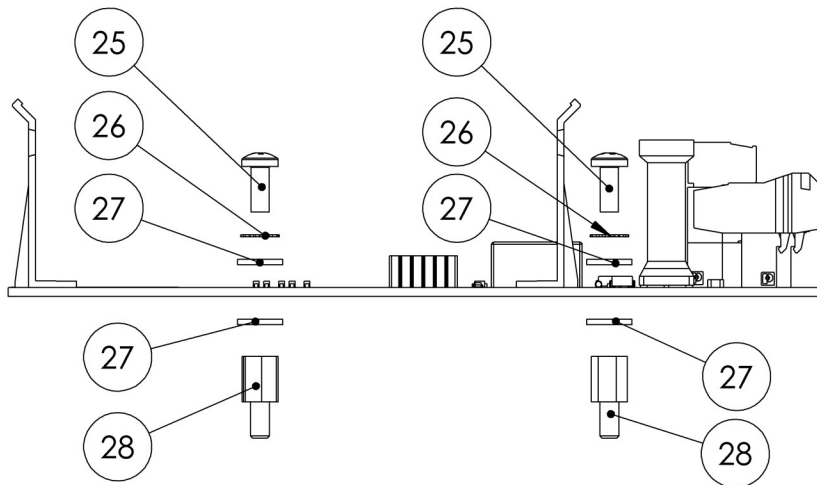
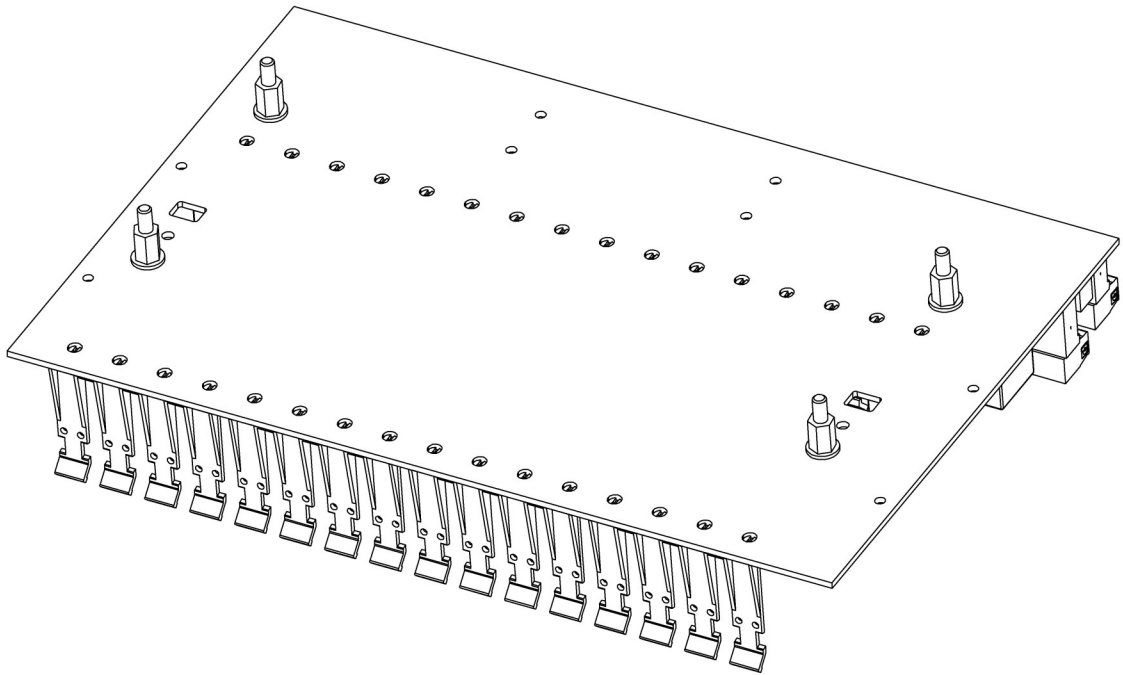
16 POSITION TERMINAL BOARD D5000 SERIES MOUNTING FEATURES KIT TB-OPT-001



1. T35 DIN RAIL MOUNTING

Item	Ref.Nr.	Q.ty	Description	Material
1	20	2	T35 Din Rail Adapter	PA
2	21	6	3.5x9.5 Self Tapping Screw	Stainless Steel
3	22	6	M3 External Tooth lock Washer	Stainless Steel
4	23	6	M3 Washer	Stainless Steel
5	24	2	6x20 Spacer	PA

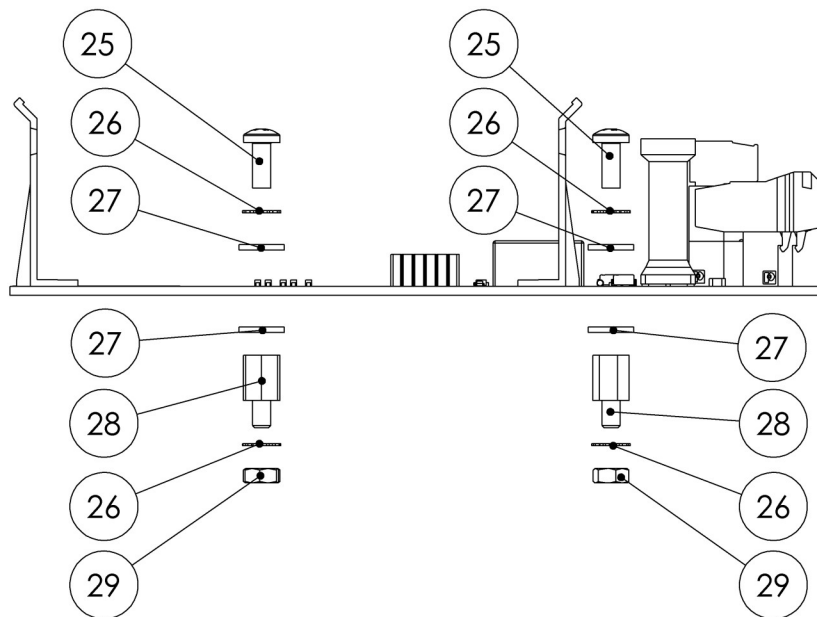
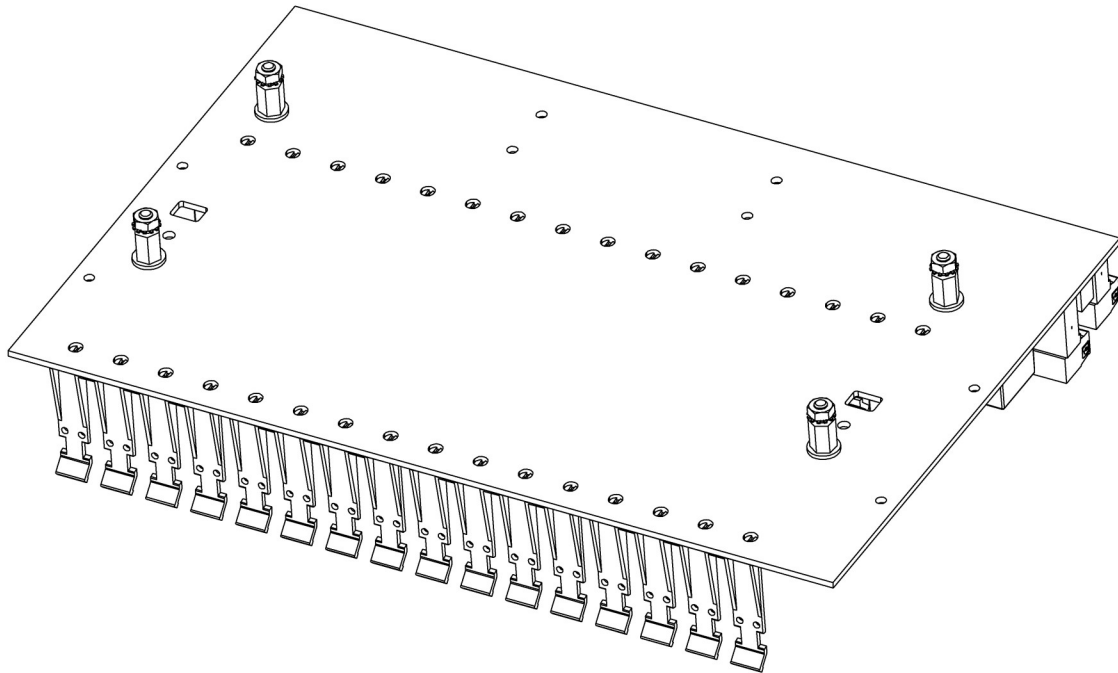
16 POSITION TERMINAL BOARD D5000 SERIES MOUNTING FEATURES KIT TB-OPT-001



2. WALL MOUNTING WITH SELF TAPPING SCREW

Item	Ref.Nr.	Q.ty	Description	Material
6	25	4	M4x8 Screw	Stainless Steel
7	26	4	M4 External Tooth lock Washer	Stainless Steel
8	27	8	M4 Washer	Stainless Steel
9	28	4	Self Tapping Spacer	Ni-Plated Brass


16 POSITION TERMINAL BOARD D5000 SERIES MOUNTING FEATURES KIT TB-OPT-001




3. WALL MOUNTING WITH M4 SCREWS

Item	Ref.Nr.	Q.ty	Description	Material
10	25	4	M4x8 Screw	Stainless Steel
11	26	8	M4 External Tooth lock Washer	Stainless Steel
12	27	8	M4 Washer	Stainless Steel
13	28	4	Threaded Spacer	Ni-Plated Brass
14	29	4	M4 Nut	Stainless Steel

Connections table to 3503E, 3505E (32 ch) DI Interface Cards:

FIELD DEVICE	MODULE TYPE	MODULE FUNCTION	MODULE POSITION	MODULE CHANNEL NUMBER	INTERFACE CARD CHANNEL NUMBER	INTERFACE CARD CONNECTOR PIN NUMBER	NOTE
	SINGLE CHANNEL MODULES	Digital IN	1 of board 1	1	1	(-) AA (CON1) GND (CON1)	<ul style="list-style-type: none"> • Interface Card Connector CON1: ELCO 816 56 poles receptacle connector. CN2 not used. • Chassis Ground provided on pins: T, H, w, FF. • All positive channels pins connected to +24 V.
			1 of board 2	1	17	(-) AA (CON1) GND (CON1)	
			2 of board 1	2	2	(-) z (CON1) GND (CON1)	
			2 of board 2	2	18	(-) z (CON1) GND (CON1)	
			3 of board 1	3	3	(-) p (CON1) GND (CON1)	
			3 of board 2	3	19	(-) p (CON1) GND (CON1)	
			4 of board 1	4	4	(+) h (CON1) GND (CON1)	
			4 of board 2	4	20	(-) h (CON1) GND (CON1)	
			5 of board 1	5	5	(-) e (CON1) GND (CON1)	
			5 of board 2	5	21	(-) e (CON1) GND (CON1)	
			6 of board 1	6	6	(-) W (CON1) GND (CON1)	
			6 of board 2	6	22	(-) W (CON1) GND (CON1)	
			7 of board 1	7	7	(-) L (CON1) GND (CON1)	
			7 of board 2	7	23	(-) L (CON1) GND (CON1)	
			8 of board 1	8	8	(-) M (CON1) GND (CON1)	
			8 of board 2	8	24	(-) M (CON1) GND (CON1)	
			9 of board 1	9	9	(-) BB (CON1) GND (CON1)	
			9 of board 2	9	25	(-) BB (CON1) GND (CON1)	
			10 of board 1	10	10	(-) CC (CON1) GND (CON1)	
			10 of board 2	10	26	(-) CC (CON1) GND (CON1)	
			11 of board 1	11	11	(-) t (CON1) GND (CON1)	
			11 of board 2	11	27	(-) t (CON1) GND (CON1)	
			12 of board 1	12	12	(-) j (CON1) GND (CON1)	
			12 of board 2	12	28	(-) j (CON1) GND (CON1)	
			13 of board 1	13	13	(-) f (CON1) GND (CON1)	
			13 of board 2	13	29	(-) f (CON1) GND (CON1)	
			14 of board 1	14	14	(-) Z (CON1) GND (CON1)	
			14 of board 2	14	30	(-) Z (CON1) GND (CON1)	
			15 of board 1	15	15	(-) P (CON1) GND (CON1)	
			15 of board 2	15	31	(-) P (CON1) GND (CON1)	
			16 of board 1	16	16	(-) N (CON1) GND (CON1)	
			16 of board 2	16	32	(-) N (CON1) GND (CON1)	

Connections table to 3503E, 3505E (32 ch) DI Interface Cards:

FIELD DEVICE	MODULE TYPE	MODULE FUNCTION	MODULE POSITION	MODULE CHANNEL NUMBER	INTERFACE CARD CHANNEL NUMBER	INTERFACE CARD CONNECTOR PIN NUMBER	NOTE
	DOUBLE CHANNEL MODULES	Digital IN	1	1A	1	(-) AA (CON1)	<ul style="list-style-type: none"> • Interface Card Connector CON1: ELCO 816 56 poles receptacle connector. • CON2 available only when using double channels modules. • All positive channel pins connected to +24 Vdc. • Ground available on ELCO poles: LL, EE, v, l, b, S, F, B, MM, HH, x, m, c, U, J, C. • Module "B" channels only available on double channels modules: D5031D, D5032D.
				1B	2	(-) AA (CON2)	
			2	2A	3	(-) z (CON1)	
				2B	4	(-) z (CON2)	
			3	3A	5	(-) p (CON1)	
				3B	6	(-) p (CON2)	
			4	4A	7	(-) h (CON1)	
				4B	8	(-) h (CON2)	
			5	5A	9	(-) e (CON1)	
				5B	10	(-) e (CON2)	
			6	6A	11	(-) W (CON1)	
				6B	12	(-) W (CON2)	
			7	7A	13	(-) L (CON1)	
				7B	14	(-) L (CON2)	
			8	8A	15	(-) M (CON1)	
				8B	16	(-) M (CON2)	
			9	9A	17	(-) BB (CON1)	
				9B	18	(-) BB (CON2)	
			10	10A	19	(-) CC (CON1)	
				10B	20	(-) CC (CON2)	
			11	11A	21	(-) t (CON1)	
				11B	22	(-) t (CON2)	
			12	12A	23	(-) j (CON1)	
				12B	24	(-) j (CON2)	
			13	13A	25	(-) f (CON1)	
				13B	26	(-) f (CON2)	
			14	14A	27	(-) Z (CON1)	
				14B	28	(-) Z (CON2)	
			15	15A	29	(-) P (CON1)	
				15B	30	(-) P (CON2)	
			16	16A	31	(-) N (CON1)	
				16B	32	(-) N (CON2)	