

Characteristics:
General description:

This Termination Board (TB) provides direct connection between the I/O Card of the system and D5000 / D6000 Series modules.
The Intrinsically Safe protection and signal isolation between Safe and Hazardous Area, is provided by D5000 Series Associated Apparatus. The 24 Vdc Power Supply of the TB is connected to two plug-in terminal blocks, for a redundant power supply.
The power supply for modules is given by TB power bus.

Termination Board general characteristics:

Number of positions	Features
16	1) Power Supply voltage redundancy; 2) Abnormal supply voltage signaling; 3) Cumulative module fault signaling.

Supported Tricon and Tricon CX I/O Cards:

System	I/O Card Type	I/O Card Model	Channels per I/O Card	I/O Cards per board	Channels per board	Supported GM Modules (*)
Tricon	Digital Out	3604E 3624	16	1	16	D5040S, D5048S, D5049S, D5090S, D5091S, D5094S, D5095S, D5096S, D5097S, D5098S.
		3625 3664	32	1/2	16	D5040S, D5048S, D5049S, D5090S, D5091S, D5094S, D5095S, D5096S, D5097S, D5098S.
Tricon CX	Digital Out	3626X	32	1/2	16	D5040S, D5048S, D5049S, D5090S, D5091S, D5094S, D5095S, D5096S, D5097S, D5098S.

(*) Do not mix D5000 Intrinsically Safe barriers with D5000 Relay modules or D6000 isolators on same termination board.

Features:

- Tricon and Tricon CX DO Cards board interfaces.
- 16 positions Termination Board for up to 16 channels, to be used in pairs to obtain 32 channels.
- Lower cables installation and maintenance costs.
- Power supplies fault monitoring.
- Spare fuse provided.
- Mounting hardware provided for:
 - Wall mounting, M4 thread screw;
 - Wall mounting, M4 self tapping screw;
 - Single Din Rail mounting kit.

Ordering Information:

Model: TB-D5016-TRI-007

Technical Data:
Supply:

24 Vdc nom (20 to 30 Vdc) reverse polarity protected, double terminal blocks for redundant power supply, with OR diodes to mix supply voltages.
Connection: by polarized plug-in disconnect screw terminal blocks to accommodate terminations up to 2.5 mm².
2 LEDs indication: green color, one for supply 1 and one for supply 2.
Protection fuse: 4 A time lag (spare fuse provided on Termination Board).

Fault detection:

- 1) Preventive - abnormal supply voltage:** supply 1 or supply 2 is < 18 Vdc (Under Voltage, UV) or > 30 Vdc (Over Voltage, OV).
 - 2) Critical - abnormal supply voltages or cumulative fault:** both supplies are in under (< 18 Vdc) or over (> 30 Vdc) voltage condition **OR** cumulative fault indication (about presence of short or open field circuit for any DO channel).
- LED fault signaling (for both case 1 and 2):** 2 red LEDs (UV and OV of supply 1); 2 red LEDs (UV and OV of supply 2); a cumulative fault red LED.
- Relay fault signaling (one for each case 1 or 2):** a voltage free NE SPDT - 1 Form C relay contacts (de-energized in fault condition), with the following characteristics:

Contact material: AgCdO.

Contact rating: 2 A 36 Vac 72 VA, 2 A 48 Vdc 80 W (resistive load).

Mechanical / Electrical life: 30 * 10⁶ / 1 * 10⁵ operation, typical.

Coil status LED indication: yellow color, turn on when coil is energized.

Connection: by polarized plug-in disconnect screw terminal blocks to accommodate terminations up to 2.5 mm².

I/O card interface:
Connection:

One ELCO 8016, 56 poles receptacle connector (require male mating connector).

Environmental conditions:

Operating: temperature limits - 40 to + 70 °C, relative humidity max 90 % non condensing, up to 35 °C.

Storage: temperature limits - 45 to + 80 °C.

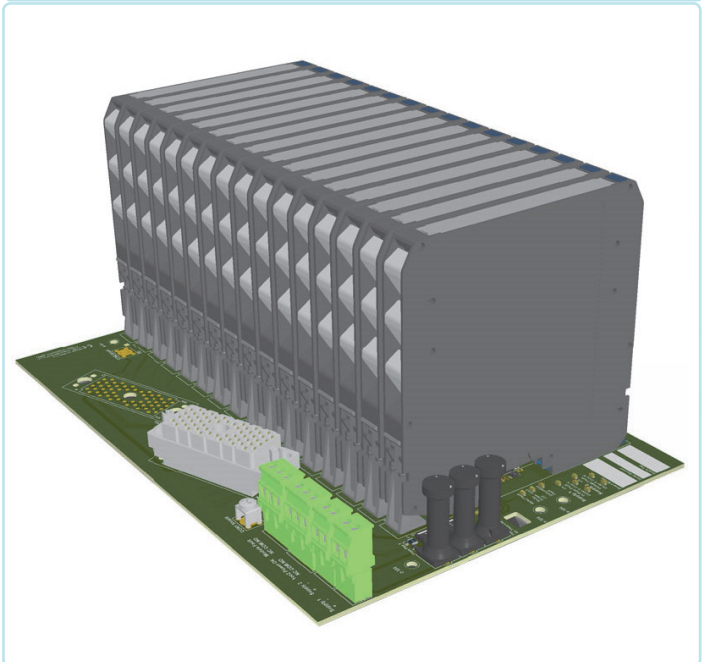
Mounting:

Hardware included for mounting on wall and single DIN rail.

Weight: about 400 g (excluding modules and mounting options).

Location: Safe Area / Ordinary locations.

Dimensions: Width 267 mm, Depth 176 mm, Height 125 mm.

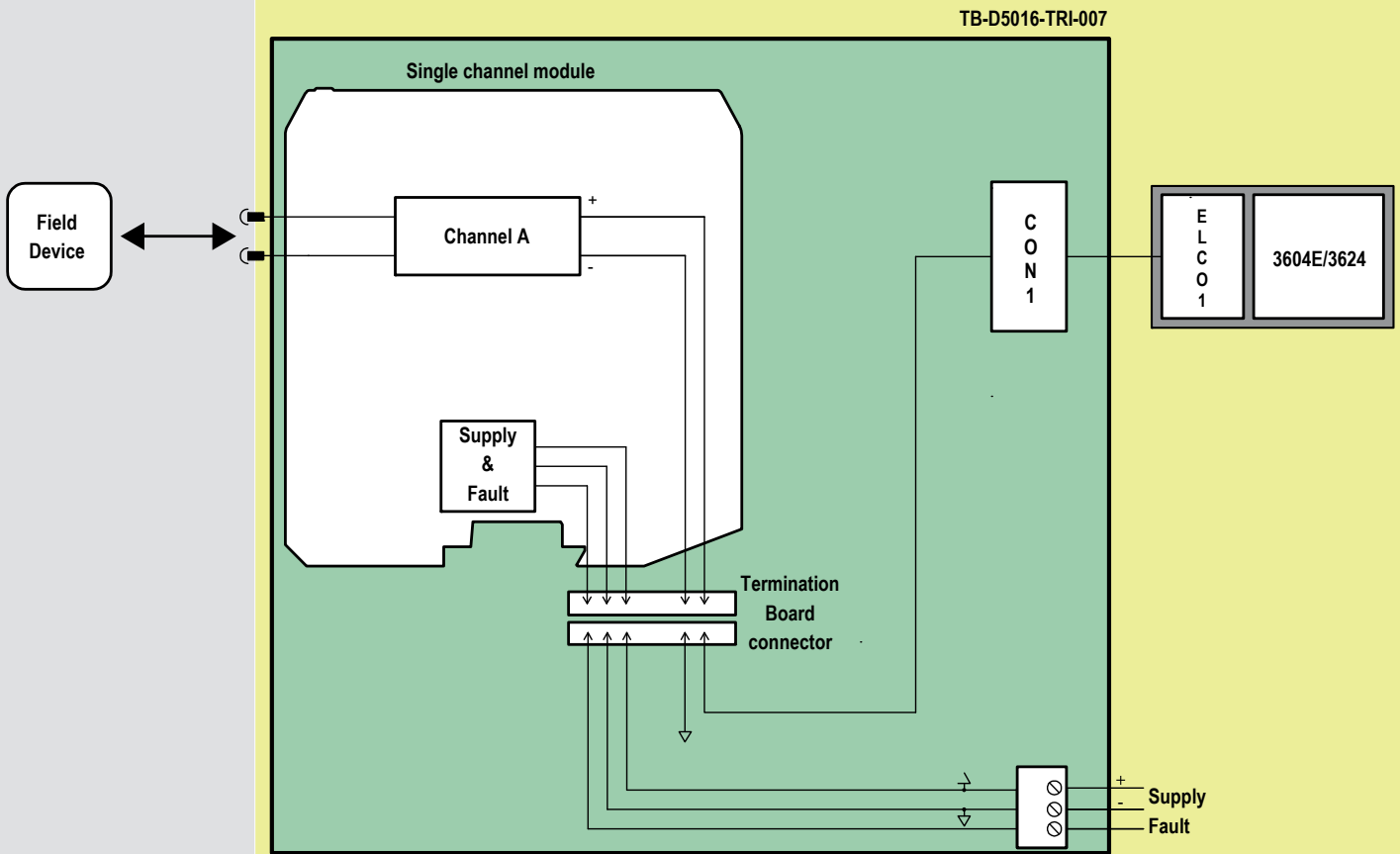
Image:


Loop Diagrams (3604E/3624):

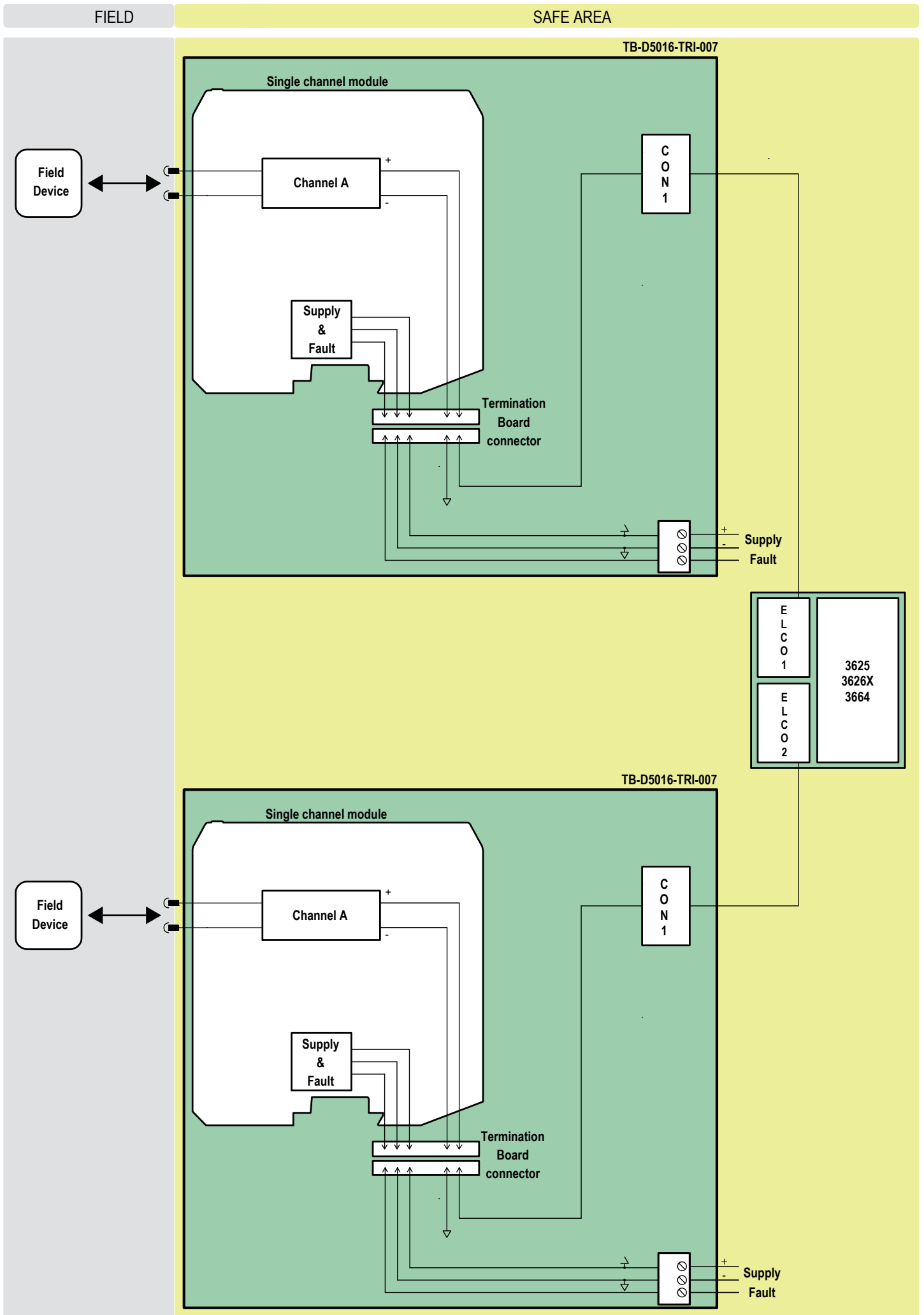
FIELD

SAFE AREA

Note : Do not mix D5000 Intrinsically Safe barriers with D5000 Relay modules or D6000 isolators on same termination board.

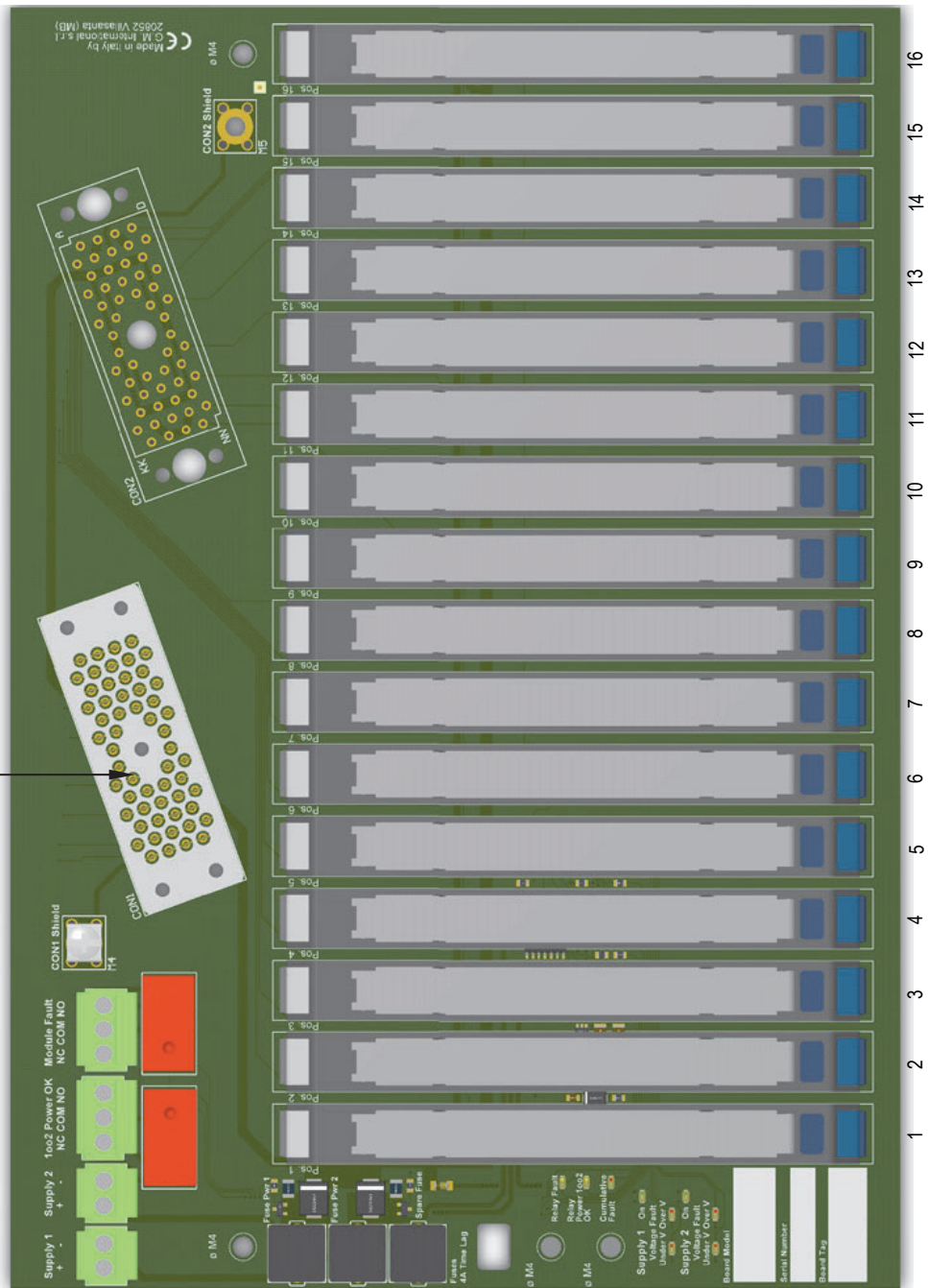


Loop Diagrams (3625/3626X/3664):



ELCO 8016, 56 poles female connector (CON1)

Small key Pos. 3
Large key Pos 3



Connections table to Interface Cards:

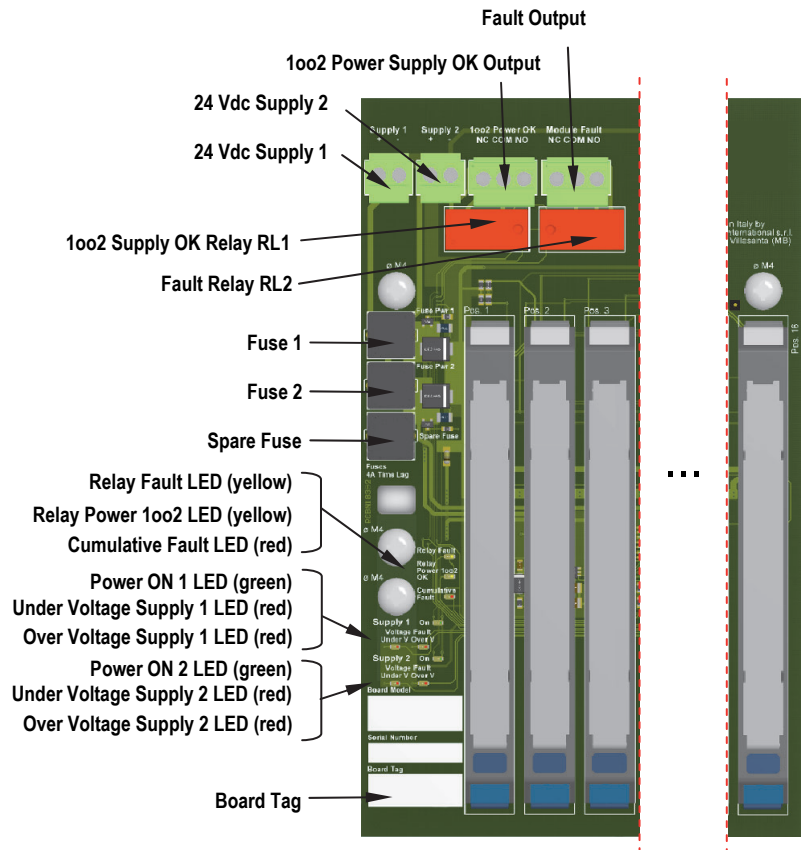
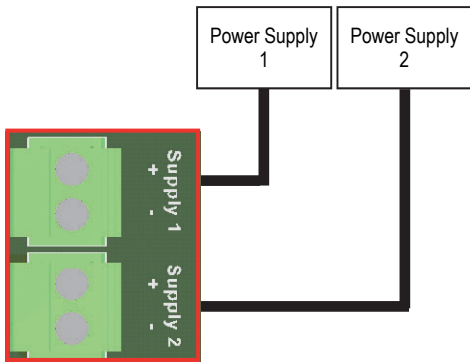
MODULE POSITION	MODULE CHANNEL NUMBER	INTERFACE CARD(S) CHANNEL NUMBER (ELCO1)	INTERFACE CARD(S) CHANNEL NUMBER (ELCO2)	MODULE CHANNEL POSITIVE (+) CONNECTION (CON1)	MODULE CHANNEL NEGATIVE (-) CONNECTION	NOTES
1	1	1	17	KK	GND	<p>CON1:</p> <ul style="list-style-type: none"> • Chassis Ground provided on pins: T, H, w, FF. • +24 Vdc available on poles: AA, z, p, h, e, W, L, M, BB, CC, t, j, f, Z, P, N. • Ground available on poles: LL, EE, v, l, b, S, F, B, MM, HH, x, m, c, U, J, C
2	2	2	18	DD	GND	
3	3	3	19	u	GND	
4	4	4	20	k	GND	
5	5	5	21	a	GND	
6	6	6	22	R	GND	
7	7	7	23	E	GND	
8	8	8	24	A	GND	
9	9	9	25	NN	GND	
10	10	10	26	JJ	GND	
11	11	11	27	y	GND	
12	12	12	28	n	GND	
13	13	13	29	d	GND	
14	14	14	30	V	GND	
15	15	15	31	K	GND	
16	16	16	32	D	GND	

Termination Board description:

Note:

Relay contact is defined Normally Closed (NC) or Normally Open (NO) when RL1 or RL2 relays are de-energized (that is, coil status LED is turned off).
Relay is de-energized in fault status.

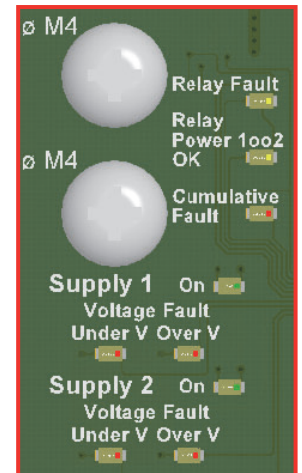
Power Supply redundancy:



LED Signaling:

Meaning of LEDs on termination boards:

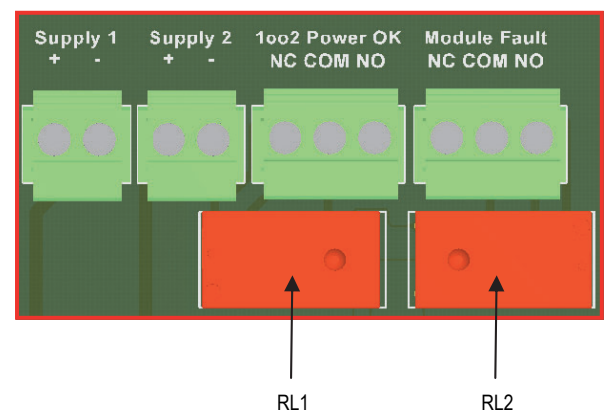
TAG	LED COLOR	MEANING
Supply 1 On	GREEN	The LED is on when the Supply 1 is present, regardless of its voltage
Supply 1 Under V	RED	The LED is on when the Supply 1 is under-voltage (<18 V)
Supply 1 Over V	RED	The LED is on when the Supply 1 is over-voltage (>30 V)
Supply 2 On	GREEN	The LED is on when the Supply 2 is present, regardless of its voltage
Supply 2 Under V	RED	The LED is on when the Supply 2 is under-voltage (<18 V)
Supply 2 Over V	RED	The LED is on when the Supply 2 is over-voltage (>30 V)
Cumulative Fault	RED	The LED is on when at least one module/barrier reported a fault
Relay Power 1002 OK	YELLOW	The LED is on when both supply voltages are within the regular range (>18 V and <30 V)
Relay Fault	YELLOW	The LED is on when the following two conditions hold: 1. at least one voltage supply is within the regular range (>18 V and <30 V) 2. no module/barrier fault is reported



Relay Activation Conditions:

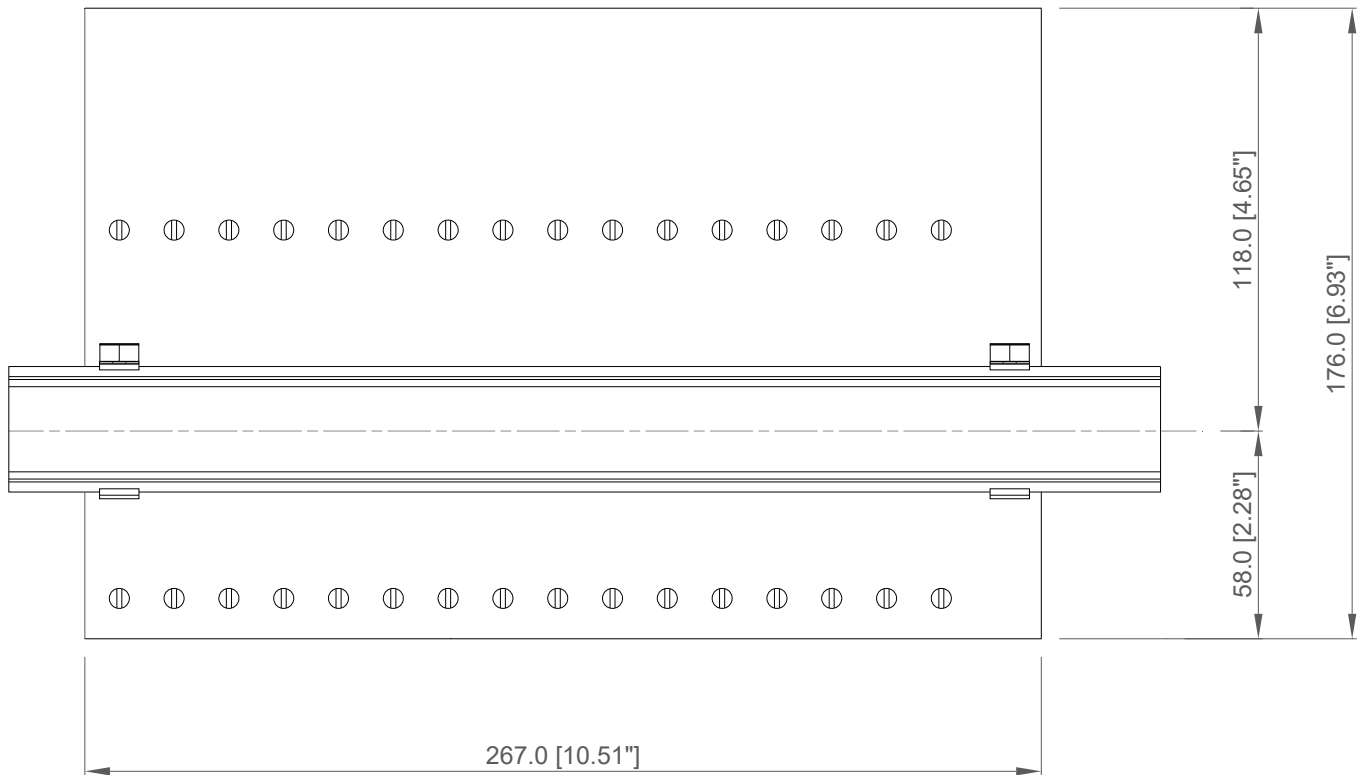
The two relays are activated according to the following rules:

TAG	ACTIVATION
1002 Power OK (RL1)	The relay is energized when both supply voltages are within the regular range (>18 V and <30 V), i.e. when "Relay 1002 Power OK" yellow LED is on.
Module Fault (RL2)	The relay is energized when the following two conditions hold: 1. at least one voltage supply is within the regular range (>18 V and <30 V) 2. no module/barrier fault is reported Therefore, the relay is energized when the "Fault" yellow LED is on.

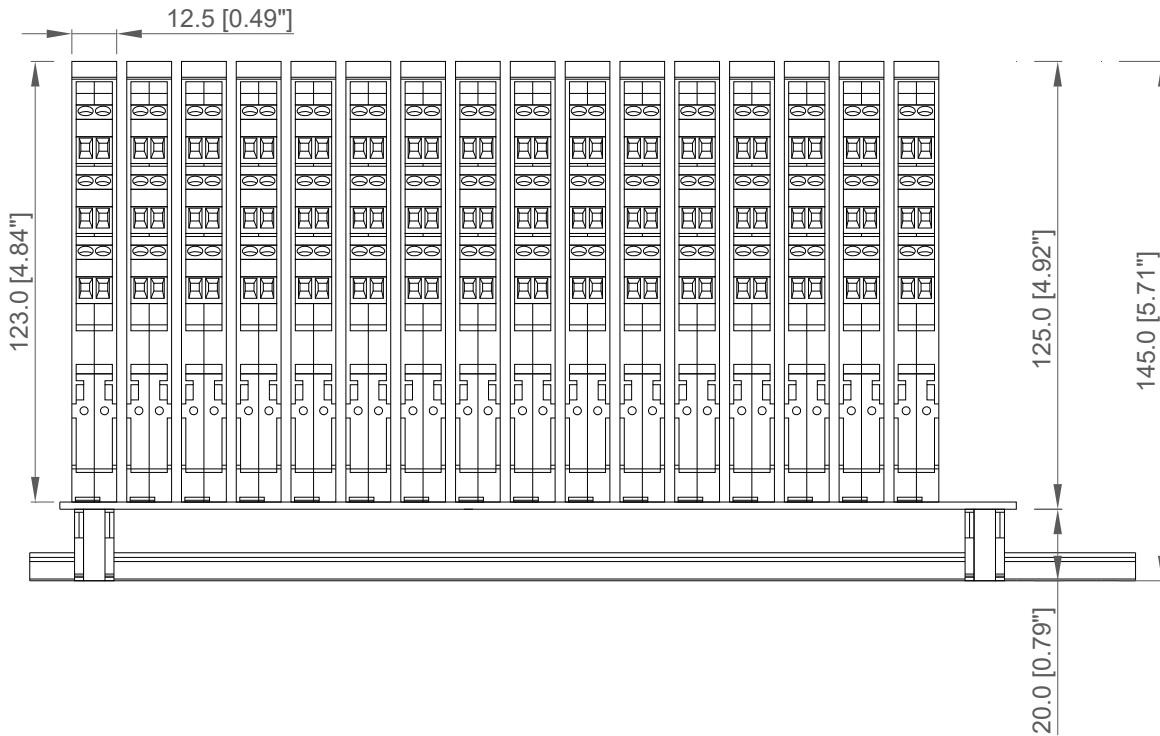


DIN Rail mounting overall dimensions:

Bottom view

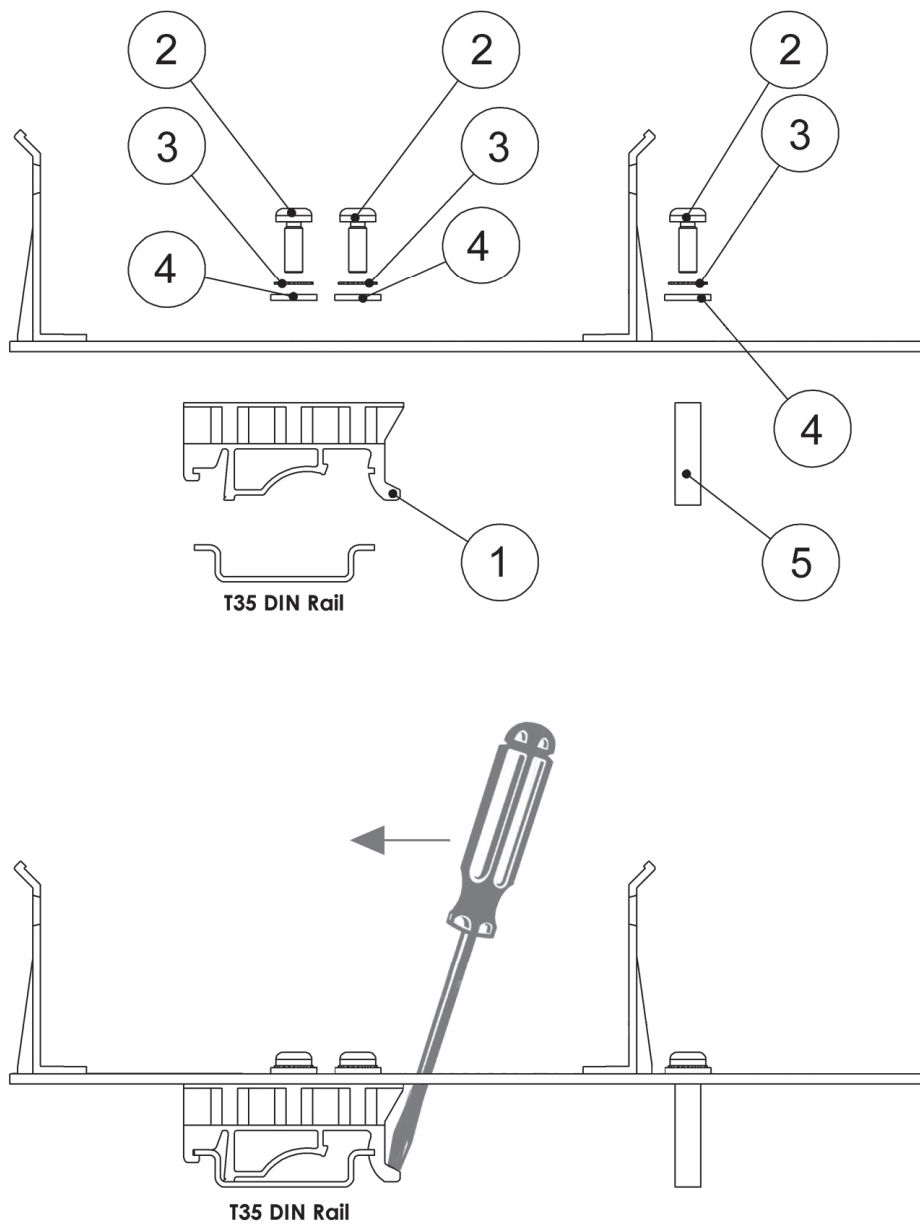


Side view



All dimensions are expressed in millimeters [inches]

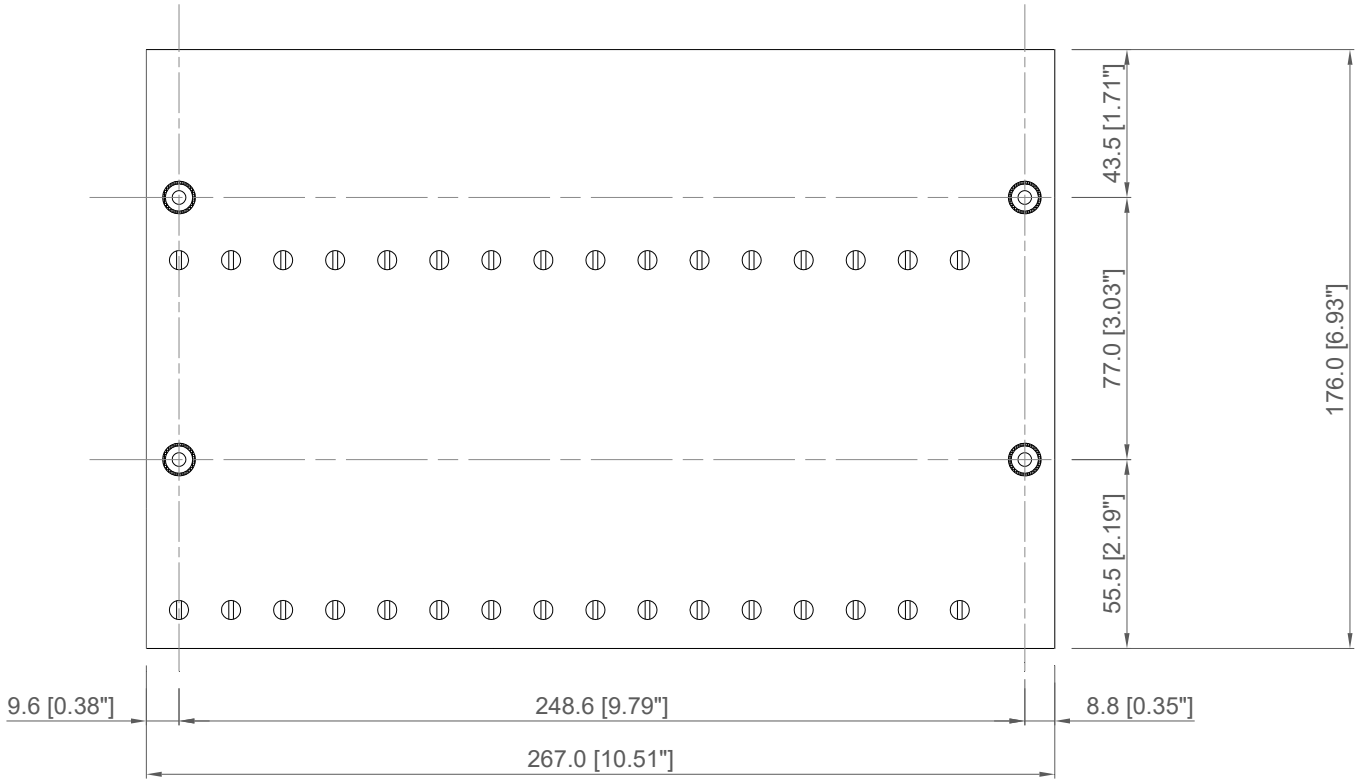
Mounting features kit TB-OPT-001



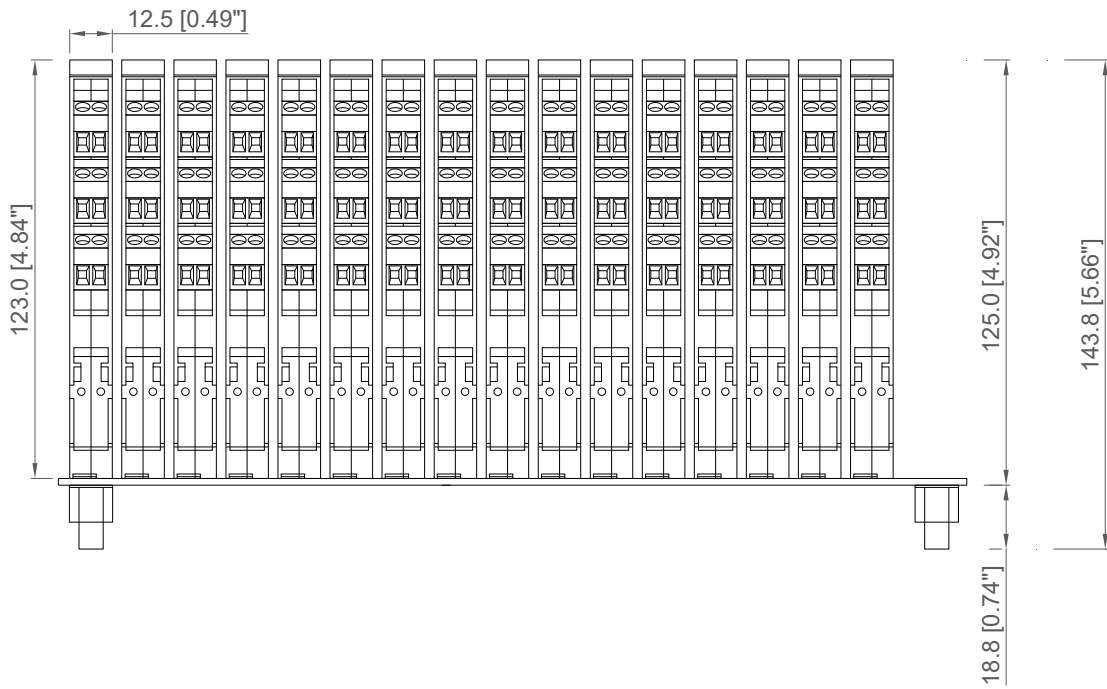
Ref. Nr	Q.ty	Description	Material
1	2	T35 Din Rail Adapter	PA
2	6	3.5 x 9.5 Self tapping screw	Stainless Steel
3	6	M3 External Tooth lock Washer	Stainless Steel
4	6	M3 Washer	Stainless Steel
5	2	6 c 20 Spacer	PA

Wall mounting overall dimensions for M4 self tapping screw:

Bottom view

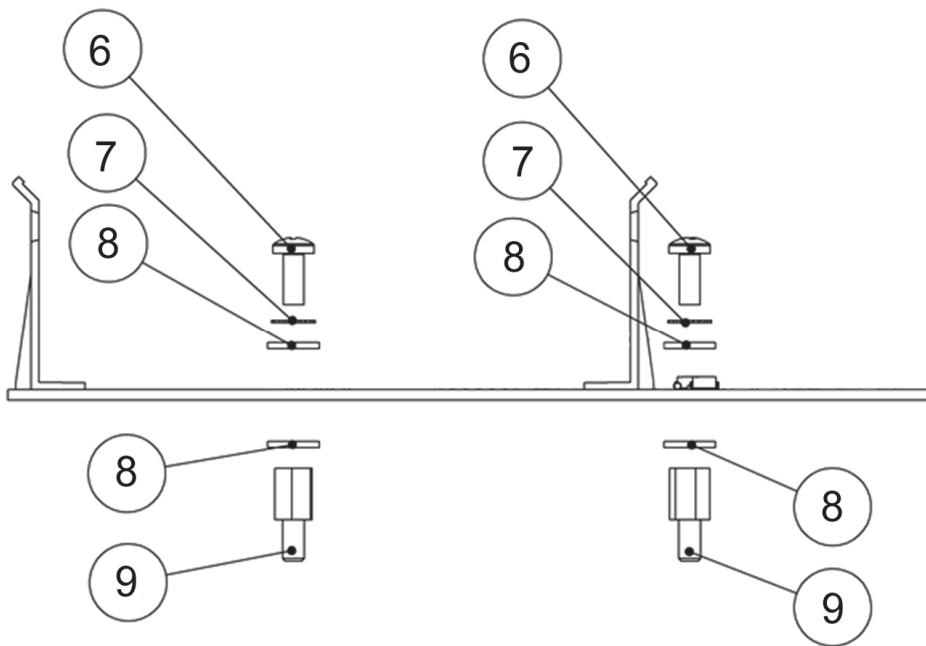
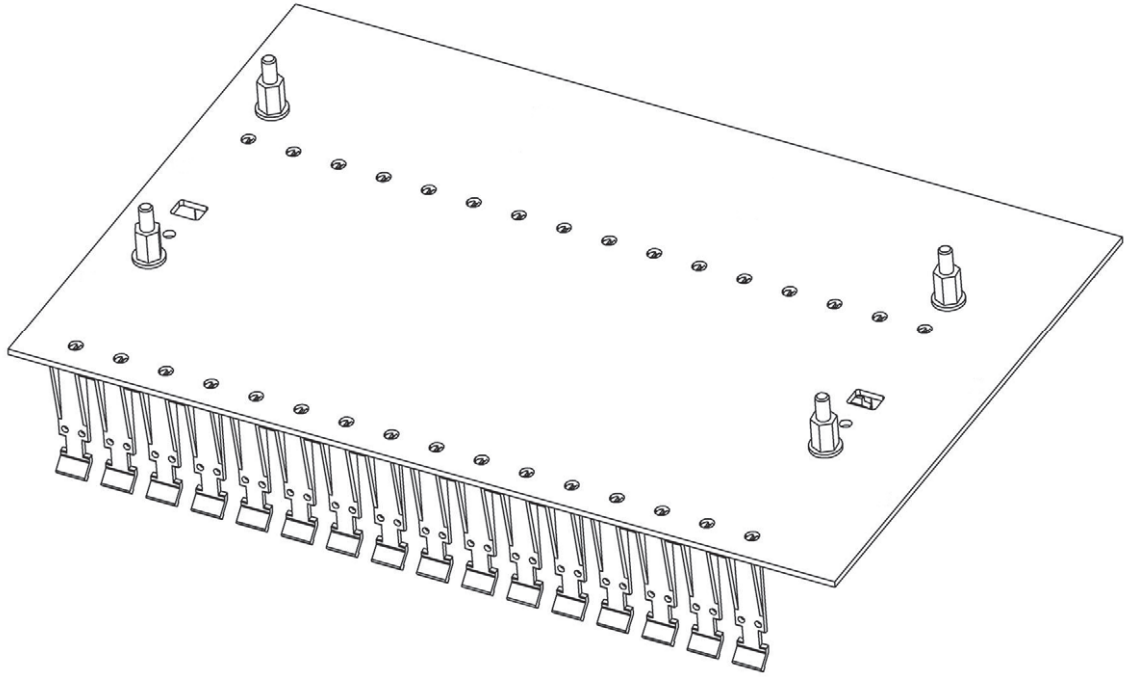


Side view



All dimensions are expressed in millimeters [inches]

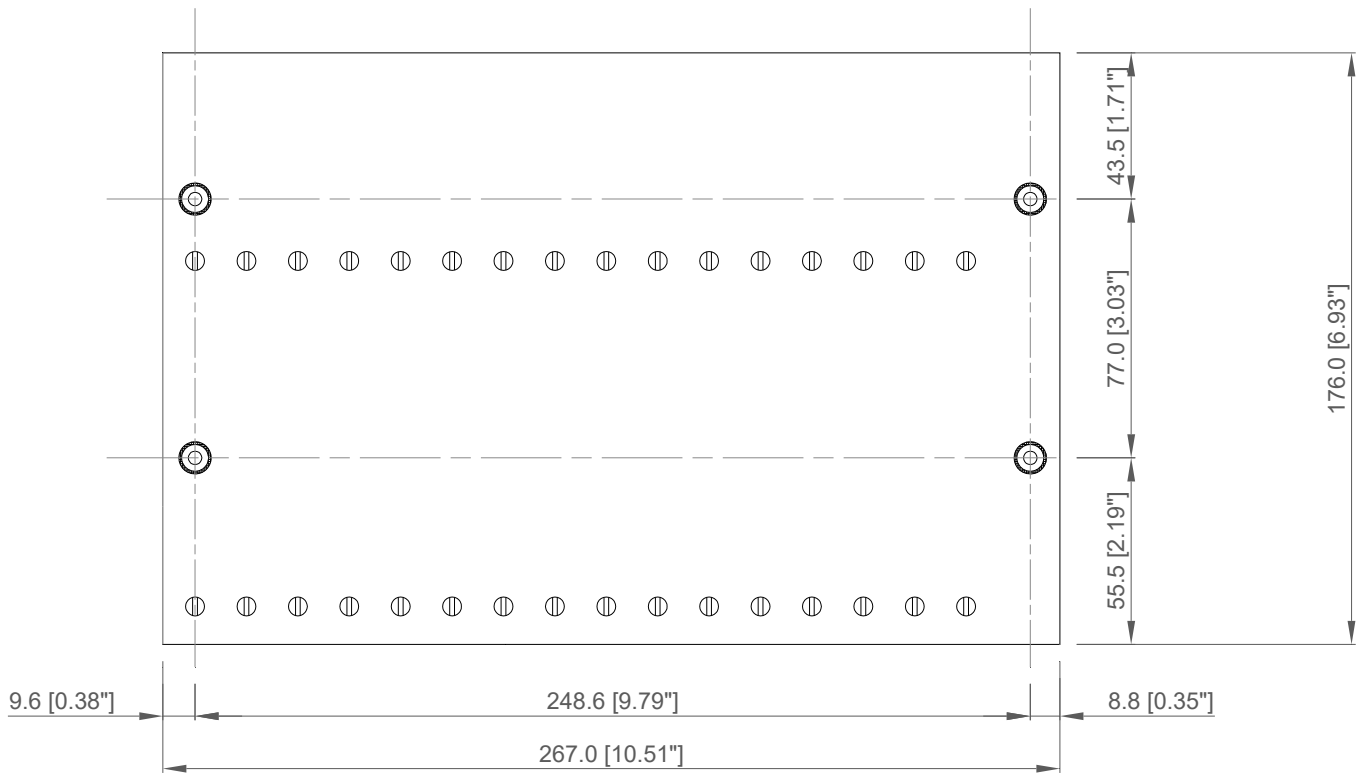
Mounting features kit TB-OPT-001



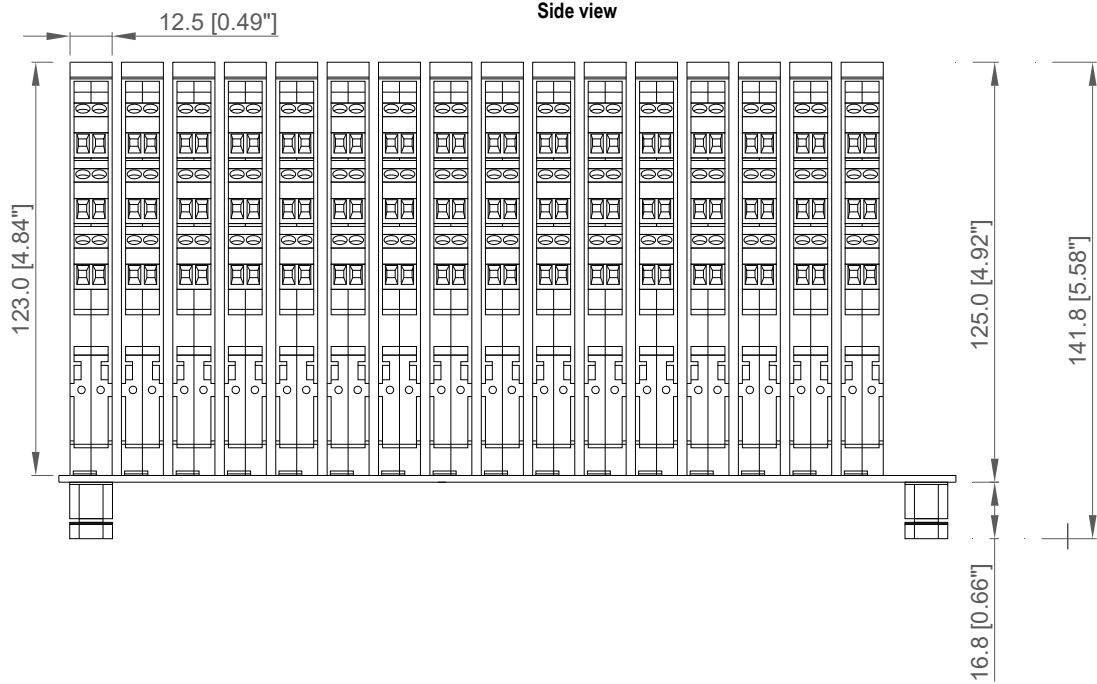
Ref. Nr	Q.ty	Description	Material
6	4	M4 x 8 Screw	Stainless Steel
7	4	M4 External Tooth lock Washer	Stainless Steel
8	8	M4 Washer	Stainless Steel
9	4	Self Tapping Spacer	NI - Plated Brass

Wall mounting overall dimensions for M4 thread screw:

Bottom view

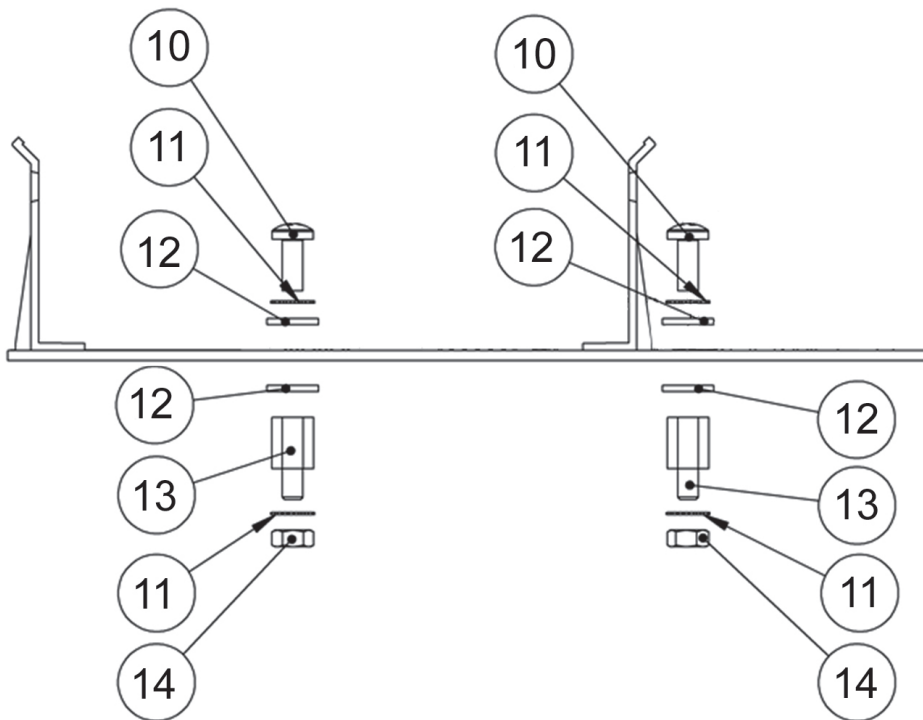
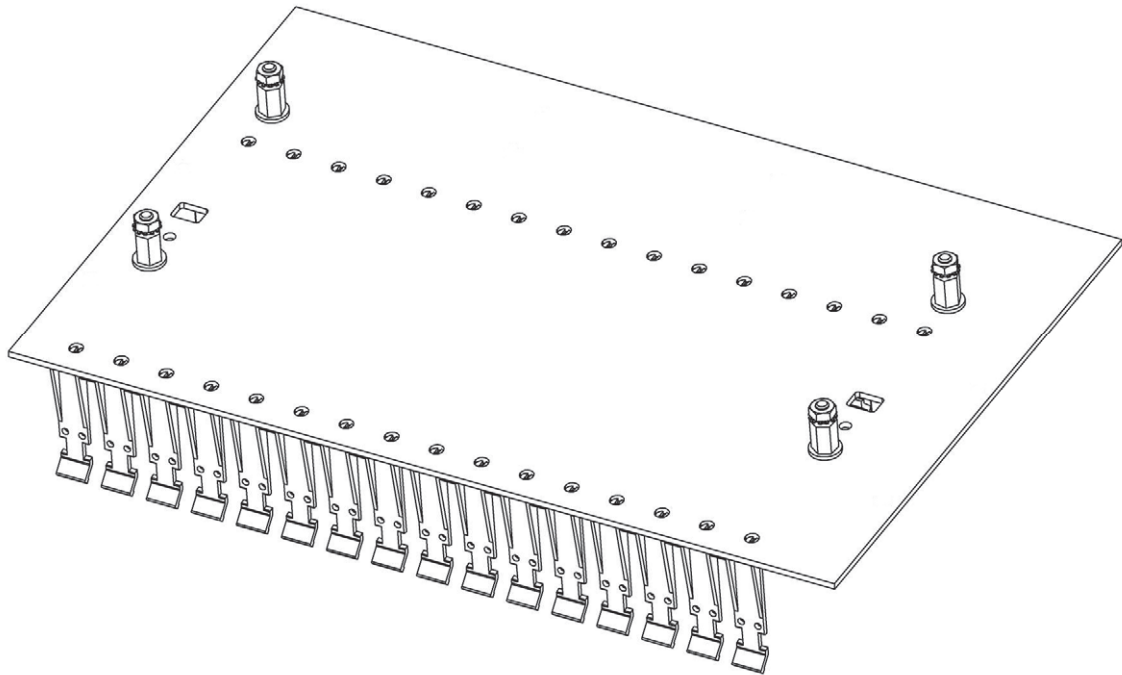


Side view



All dimensions are expressed in millimeters [inches]

Mounting features kit TB-OPT-001



Ref. Nr	Q.ty	Description	Material
10	4	M4 x 8 Screw	Stainless Steel
11	8	M4 External Tooth lock Washer	Stainless Steel
12	8	M4 Washer	Stainless Steel
13	4	Threaded Spacer	NI - Plated Brass
14	4	M4 Nut	Stainless Steel