

D6254

SIL2 2/4-Wire Transmitter Trip Amplifier

The 2/4-Wire Transmitter Trip Amplifier D6254 provides a fully floating dc supply to energize conventional 2 wires 4-20 mA transmitters located in Hazardous Area; it also accepts 0/4-20 mA current input signals, as well as ± 12 V voltage inputs. The module repeats/converts the input as on current signal, in a floating circuit, suitable for applications requiring SIL 2 in safety related systems for high risk industries. The output signal can be in direct or reverse form. Two independent Alarm Trip Amplifiers are also provided.

FEATURES

- SIL 2 / SC 3
- ± 12 V Voltage Input
- 0/4-20 mA Active-Passive Input, Source-Sink Output
- Input and Output short circuit proof
- Modbus RTU RS-485 for monitor & configuration
- Out-of-range fault detection
- Optional alarm acknowledgement input
- Fully programmable operating parameters
- High Accuracy, μ P controlled A/D converter
- Three port isolation, Input/Output/Supply

ORDERING INFORMATION

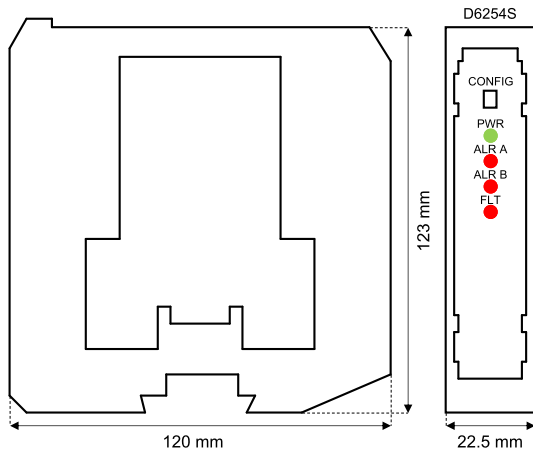
Ordering codes

D6254S: 1 channel

Accessories

Bus Connector JDFT050, Bus Mounting Kit OPT5096.
Programmable USB serial line Kit PPC5092 + SWC5090.

OVERALL DIMENSIONS



TECHNICAL DATA

Supply

24 Vdc nom (21.5 to 30 Vdc), reverse polarity protected.

Current consumption: 110 mA @ 24 Vdc with 20 mA input/output and alarm relays energized, typical.

Power dissipation: 2.3 W @ 24 Vdc with 20 mA input/output and alarm relays energized, typical.

Input

0/4 to 20 mA (separately powered input, voltage drop ≤ 0.5 V) or 4 to 20 mA (2 wires Tx current limited ≈ 25 mA), or voltage input ± 12 V.

Integration time: 100 ms.

Input range: 0 / +25 mA for current, ± 12 V for voltage.

Transmitter line voltage: 15.5 V typical, 15.0 V minimum, @ 20 mA.

Acknowledgement input

Logic level reverse polarity protected.

Voltage range: 0 V \leq OFF \leq 5 V, 18 V \leq ON \leq 30 V.

Current consumption: 10 mA @ 24 Vdc, typical.

Output

Fully customizable 0/4 to 20 mA, on max. 300 Ω load source mode, current limited @ 25 mA.

Transfer characteristic: linear, direct or reverse, square root.

Response time: ≤ 100 ms (10 to 90% step change).

Alarm

Trip point range: within rated limits of input sensor.

Output: two voltage free SPDT relay contacts.

Contact rating: 4 A 250 Vac 1000 VA, 4 A 250 Vdc 120 W (resistive load).

DC and AC load breaking capacity: refer to Instruction Manual.

Modbus interface

Modbus RTU RS-485 up to 115.2 kbps for monitor/configuration/control.

Isolation

I.S. In/Other 1.5 kV; Alarms/Other 1.5 kV; Alarm/Alarm 1.5 kV; Out/Supply 500 V; Out/Ack 500 V; Ack/Supply 500 V.

Environmental conditions

Operating temperature: temperature limits -40 to $+70$ $^{\circ}$ C.

Storage temperature: temperature limits -45 to $+80$ $^{\circ}$ C.

Mounting

DIN-Rail 35 mm, with or without Power Bus or on custom Term. Board.

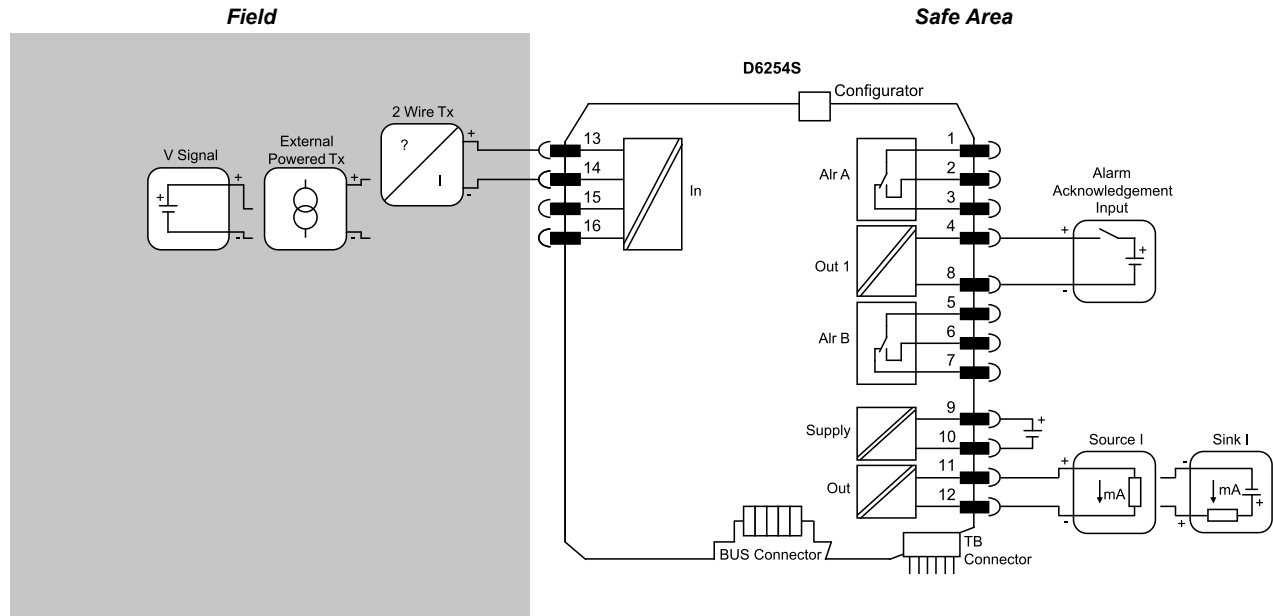
Weight: about 120 g.

Connection: by polarized plug-in disconnect screw terminal blocks to accommodate terminations up to 2.5 mm² (13 AWG).

Dimensions: Width 22.5 mm, Depth 123 mm, Height 120 mm.

FUNCTION DIAGRAM

Additional installation diagrams may be found in Instruction Manual.



Functional Safety Management Certification:
 GM International is certified to conform to IEC61508:2010 part 1 clauses 5-6 for safety related systems up to and included SIL3. In addition, GM International products have been granted I.S. certificates from the most credited Notified Bodies in the world.

Data specified in this document are merely descriptive of the products and should be integrated with relevant technical specifications. Our products are in constant development and the information presented herein refers to the time of document issue. No statements concerning a certain condition or suitability for a certain application can be derived from our information. The information given does not release the user from the obligation of own judgment and verification. Terms & Conditions can be found at our website. For more information refer to instruction manual.