



INSTRUCTION & SAFETY MANUAL

SIL 2 Repeater Power Supply

Smart-Hart compatible

DIN-Rail Models D1010S-046, D1010D-046

Characteristics

General Description: The single and dual channel DIN Rail Repeater Power Supply, D1010S-046 and D1010D-046, provides a fully floating dc supply for energizing conventional 2 wires 4-20 mA transmitters, or separately powered 3, 4 wires 4-20, 0-20 mA transmitters located in Hazardous Area, and repeats the current in floating circuit to drive a Safe Area load. The circuit allows bi-directional communication signals, for Hart-Smart transmitters.

Function: 1 or 2 channels I.S. analog input for 2 wires loop powered or separately powered Smart transmitters, provides 3 port isolation (input/output/supply) and current (source or sink) or voltage output signal.

Signalling LED: Power supply indication (green).

Field Configurability: mA (source or sink) or V output signal.

Smart Communication Frequency Band: 0.5 to 40 KHz within 3 dB (Hart and higher frequency protocols).

EMC: Fully compliant with CE marking applicable requirements.

Functional Safety Management Certification:

G.M. International is certified by TUV to conform to IEC61508:2010 part 1 clauses 5-6 for safety related systems up to and included SIL3.



Technical Data

Supply: 24 Vdc nom (20 to 30 Vdc) reverse polarity protected, ripple within voltage limits ≤ 5 Vpp.

Current consumption @ 24 V: 115 mA for 2 channels D1010D-046, 60 mA for 1 channel D1010S-046 with 20 mA output typical.

Power dissipation: 1.9 W for 2 channels D1010D-046, 1.0 W for 1 channel D1010S-046 with 24 V supply voltage and 20 mA output typical.

Max. power consumption: at 30 V supply voltage and short circuit condition, 3.7 W for 2 channels D1010D-046, 2.0 W for 1 channel D1010S-046.

Isolation (Test Voltage): I.S. In/Out 1.5 KV; I.S. In/Supply 1.5 KV; I.S. In/I.S. In 500 V; Out/Supply 500 V; Out/Out 500 V.

Input: 0/4 to 20 mA (separately powered input, voltage drop ≤ 1.1 V) or 4 to 20 mA (2 wire Tx current limited at ≈ 25 mA).

Transmitter line voltage: ≥ 14.0 V at 20 mA with max. 20 mVrms ripple on 0.5 to 40 KHz frequency band.

Output: 0/4 to 20 mA, on max. 600 Ω load in source mode; V min. 5 V at 0 Ω load V max. 30 V in sink mode, current limited at ≈ 23 mA or 0/1 to 5 V on internal 250 Ω shunt (or 0/2 to 10 V on internal 500 Ω shunt on request).

Response time: 50 ms (10 to 90 % step change).

Output ripple: ≤ 20 mVrms on 250 Ω communication load on 0.5 to 40 KHz band.

Frequency response: 0.5 to 40 KHz bidirectional within 3 dB (Hart and higher frequency protocols).

Performance: Ref. Conditions 24 V supply, 250 Ω load, 23 ± 1 $^{\circ}$ C ambient temperature.

Calibration accuracy: $\leq \pm 0.1$ % of full scale.


Linearity error: $\leq \pm 0.05$ % of full scale.

Supply voltage influence: $\leq \pm 0.05$ % of full scale for a min to max supply change.

Load influence: $\leq \pm 0.05$ % of full scale for a 0 to 100 % load resistance change.

Temperature influence: $\leq \pm 0.01$ % on zero and span for a 1 $^{\circ}$ C change.

Compatibility:

 CE mark compliant, conforms to Directive: 2014/34/EU ATEX, 2014/30/EU EMC, 2014/35/EU LVD, 2011/65/EU RoHS.

Environmental conditions:

Operating: temperature limits -20 to + 60 $^{\circ}$ C, relative humidity max 95 %.

Storage: temperature limits - 45 to + 80 $^{\circ}$ C.

Safety Description:



ATEX: II (1)G [Ex ia Ga] IIC, II (1)D [Ex ia Da] IIIC, I (M1) [Ex ia Ma] I; II 3G Ex ec IIC T4 Gc

IECEX: [Ex ia Ga] IIC, [Ex ia Da] IIIC, [Ex ia Ma] I; Ex ec IIC T4 Gc

INMETRO: [Ex ia Ga] IIC, [Ex ia Da] IIIC, [Ex ia Ma] I

EAC-EX: 2Ex nA [ia Ga] IIC T4 Gc X, [Ex ia Da] IIIC X, [Ex ia Ma] I X

UKR TR n. 898: 2ExnAiaIIC T4 X, Exial X

associated apparatus and non-sparking electrical equipment.

Uo/Voc = 26.3 V, Io/Isc = 79 mA, Po/Po = 514 mW at terminals 14-15, 10-11.

Uo/Voc = 1.1 V, Io/Isc = 28 mA, Po/Po = 8 mW at terminals 15-16, 11-12.

Ui/Vmax = 30 V, Ii/Imax = 104 mA, Ci = 1.05 nF, Li = 0 nH at terminals 15-16, 11-12.

Um = 250 Vrms, -20 $^{\circ}$ C \leq Ta \leq 60 $^{\circ}$ C.

Approvals:

DMT 01 ATEX E 042 X conforms to EN60079-0, EN60079-11.

IECEX BVS 07.0027X conforms to IEC60079-0, IEC60079-11.

IMQ 09 ATEX 013 X conforms to EN60079-0, EN60079-7.

IECEX IMQ 13.0011X conforms to IEC60079-0, IEC60079-7.

INMETRO DNV 13.0108 X conforms to ABNT NBR IEC60079-0, ABNT NBR IEC60079-11.

EAЭC RU C-IT.HA67.B.00113/20 conforms to GOST 31610.0, GOST 31610.11, GOST 31610.15.

CLQ 16.0034 X conforms to ДСТУ 7113, ГОСТ 22782.5-78, ДСТУ IEC 60079-15.

TÜV Certificate No. C-IS-236198-03, SIL 2 conforms to IEC61508:2010 Ed.2.

SIL 3 Functional Safety TÜV Certificate conforms to IEC61508:2010 Ed.2, for Management of Functional Safety.

DNV No. TAA00002BM and KR No.MIL20769-EL001 Cert. for maritime applications.

Mounting:

EN/IEC60715 TH 35 DIN-Rail.

Weight: about 175 g D1010D-046, 125 g D1010S-046.

Connection: by polarized plug-in disconnect screw terminal blocks to accommodate terminations up to 2.5 mm².

Location: Safe Area or Zone 2, Group IIC T4 installation.

Protection class: IP 20.

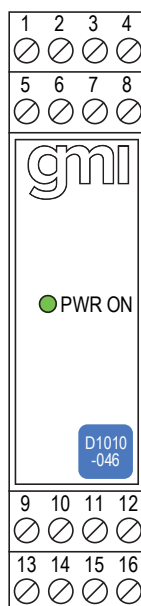
Dimensions: Width 22.5 mm, Depth 99 mm, Height 114.5 mm.

Ordering information

Model:	D1010	
1 channel	S-046	
2 channels	D-046	
Power Bus enclosure		/B

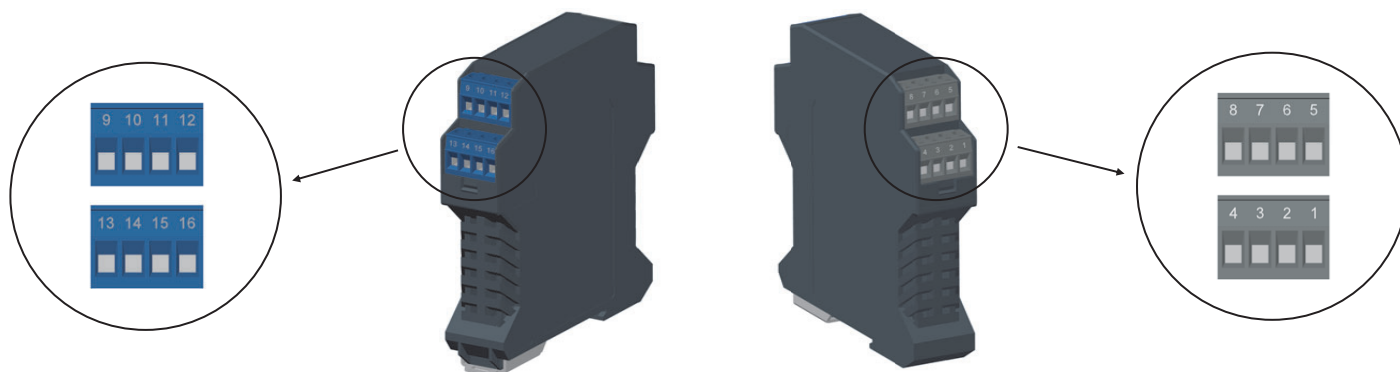
Power Bus and DIN-Rail accessories:
 DIN rail anchor MCHP065 DIN rail stopper MORT016
 Terminal block male MORT017 Terminal block female MORT022

Front Panel and Features



- SIL 2 according to IEC 61508:2010 Ed. 2 for Tproof = 7 / 10 years (≤10% / >10 % of total SIF) with active input.
- SIL 2 according to IEC 61508:2010 Ed. 2 for Tproof = 6 / 10 years (≤10% / >10 % of total SIF) with passive input.
- PFDavg (1 year) 1.30 E-04, SFF 80.51 % with active input.
- PFDavg (1 year) 1.47 E-04, SFF 80.81 % with passive input.
- SIL 3 Systematic capability.
- Input from Zone 0 (Zone 20), installation in Zone 2.
- 4-20 or 0-20 mA Input, Output Signal.
- Wide Band Smart Communication, Hart compatible.
- Input and Output short circuit proof.
- High Accuracy.
- Three port isolation, Input/Output/Supply.
- EMC Compatibility to EN61000-6-2, EN61000-6-4, EN61326-1
- In-field programmability by DIP Switch.
- ATEX, IECEx, INMETRO, EAC-EX, UKR TR n. 898, TÜV Certifications.
- TÜV Functional Safety Certification.
- Type Approval Certificate DNV and KR for maritime applications.
- High Reliability, SMD components.
- High Density, two channels per unit.
- Simplified installation using standard DIN Rail and plug-in terminal blocks.
- 250 Vrms (Um) max. voltage allowed to the instruments associated with the barrier.

Terminal block connections



HAZARDOUS AREA

9	Not used
10	+ Input Ch 2 for 2 wire Transmitters
11	- Input Ch 2 for 2 wire Transmitters or + Input Ch 2 for External Powered Transmitters
12	- Input Ch 2 for External Powered Transmitters
13	Not used
14	+ Input Ch 1 for 2 wire Transmitters
15	- Input Ch 1 for 2 wire Transmitters or + Input Ch 1 for External Powered Transmitters
16	- Input Ch 1 for External Powered Transmitters

SAFE AREA

1	+ Output Ch 1 for Current Source mode or + Output Ch 1 for Voltage Source mode
2	- Output Ch 1 for Current Source mode or - Output Ch 1 for Voltage Source mode or + Output Ch 1 for Current Sink mode
3	+ Power Supply 24 Vdc
4	- Power Supply 24 Vdc
5	+ Output Ch 2 for Current Source mode or + Output Ch 2 for Voltage Source mode
6	- Output Ch 2 for Current Source mode or - Output Ch 2 for Voltage Source mode or + Output Ch 2 for Current Sink mode
7	- Output Ch 2 for Current Sink mode
8	- Output Ch 1 for Current Sink mode

Parameters Table

In the system safety analysis, always check the Hazardous Area devices to conform with the related system documentation, if the device is Intrinsically Safe check its suitability for the Hazardous Area and gas group encountered and that its maximum allowable voltage, current, power (U_i/V_{max} , I_i/I_{max} , P_i/P_i) are not exceeded by the safety parameters (U_o/V_{oc} , I_o/I_{sc} , P_o/P_o) of the D1010-046 series Associated Apparatus connected to it. Also consider the maximum operating temperature of the field device, check that added connecting cable and field device capacitance and inductance do not exceed the limits (C_o/C_a , L_o/L_a , L_o/R_o) given in the Associated Apparatus parameters for the effective gas group. See parameters on enclosure side and the ones indicated in the table below:

D1010-046 Terminals		D1010-046 Associated Apparatus Parameters		Must be	Hazardous Area/ Hazardous Locations Device Parameters	
Ch1	14 - 15	$U_o / V_{oc} = 26.3 \text{ V}$		\leq	U_i / V_{max}	
Ch2	10 - 11					
Ch1	15 - 16	$U_o / V_{oc} = 1.1 \text{ V}$		\leq		
Ch2	11 - 12					
Ch1	14 - 15	$I_o / I_{sc} = 79 \text{ mA}$		\leq	I_i / I_{max}	
Ch2	10 - 11					
Ch1	15 - 16	$I_o / I_{sc} = 28 \text{ mA}$		\leq		
Ch2	11 - 12					
Ch1	14 - 15	$P_o / P_o = 514 \text{ mW}$		\leq	P_i / P_i	
Ch2	10 - 11					
Ch1	15 - 16	$P_o / P_o = 8 \text{ mW}$		\leq		
Ch2	11 - 12					
D1010-046 Terminals		D1010-046 Associated Apparatus Parameters		Must be	Hazardous Area/ Hazardous Locations Device + Cable Parameters	
Ch1	14 - 15	$C_o / C_a = 95 \text{ nF}$ $C_o / C_a = 738 \text{ nF}$ $C_o / C_a = 2.508 \text{ }\mu\text{F}$ $C_o / C_a = 3.95 \text{ }\mu\text{F}$ $C_o / C_a = 738 \text{ nF}$	IIC (A, B) IIB (C) IIA (D) I IIIC	\geq	$C_i / C_i \text{ device} + C \text{ cable}$	
Ch2	10 - 11					
Ch1	14 - 15	$C_o / C_a = 100 \text{ }\mu\text{F}$ $C_o / C_a = 1000 \text{ }\mu\text{F}$ $C_o / C_a = 1000 \text{ }\mu\text{F}$ $C_o / C_a = 1000 \text{ }\mu\text{F}$ $C_o / C_a = 1000 \text{ }\mu\text{F}$	IIC (A, B) IIB (C) IIA (D) I IIIC	\geq		
Ch2	10 - 11					
Ch1	14 - 15	$L_o / L_a = 5.8 \text{ mH}$ $L_o / L_a = 23.2 \text{ mH}$ $L_o / L_a = 46.5 \text{ mH}$ $L_o / L_a = 76.3 \text{ mH}$ $L_o / L_a = 23.2 \text{ mH}$	IIC (A, B) IIB (C) IIA (D) I IIIC	\geq		$L_i / L_i \text{ device} + L \text{ cable}$
Ch2	10 - 11					
Ch1	14 - 15	$L_o / L_a = 45 \text{ mH}$ $L_o / L_a = 181.4 \text{ mH}$ $L_o / L_a = 362.8 \text{ mH}$ $L_o / L_a = 595.2 \text{ mH}$ $L_o / L_a = 181.4 \text{ mH}$	IIC (A, B) IIB (C) IIA (D) I IIIC	\geq		
Ch2	10 - 11					
Ch1	14 - 15	$L_o / R_o = 69.2 \text{ }\mu\text{H}/\Omega$ $L_o / R_o = 276.8 \text{ }\mu\text{H}/\Omega$ $L_o / R_o = 553.6 \text{ }\mu\text{H}/\Omega$ $L_o / R_o = 908.3 \text{ }\mu\text{H}/\Omega$ $L_o / R_o = 276.8 \text{ }\mu\text{H}/\Omega$	IIC (A, B) IIB (C) IIA (D) I IIIC	\geq	$L_i / R_i \text{ device and}$ $L \text{ cable} / R \text{ cable}$	
Ch2	10 - 11					
Ch1	14 - 15	$L_o / R_o = 4654 \text{ }\mu\text{H}/\Omega$ $L_o / R_o = 18618 \text{ }\mu\text{H}/\Omega$ $L_o / R_o = 37236 \text{ }\mu\text{H}/\Omega$ $L_o / R_o = 61090 \text{ }\mu\text{H}/\Omega$ $L_o / R_o = 18618 \text{ }\mu\text{H}/\Omega$	IIC (A, B) IIB (C) IIA (D) I IIIC	\geq		
Ch2	10 - 11					

When used with separate powered intrinsically safe devices, check that maximum allowable voltage, current (U_i/V_{max} , i_i/I_{max}) of the D1010-046 Associated Apparatus are not exceeded by the safety parameters (U_o/V_{oc} , I_o/I_{sc}) of the Intrinsically Safe device, indicated in the table below:

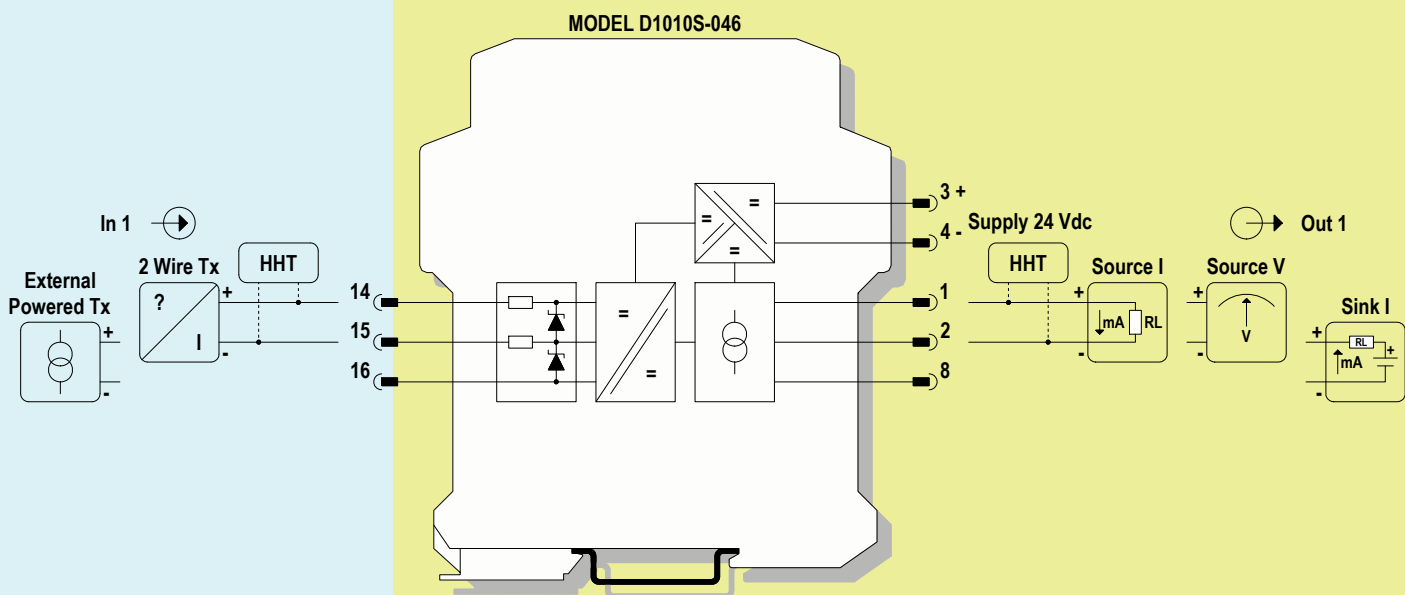
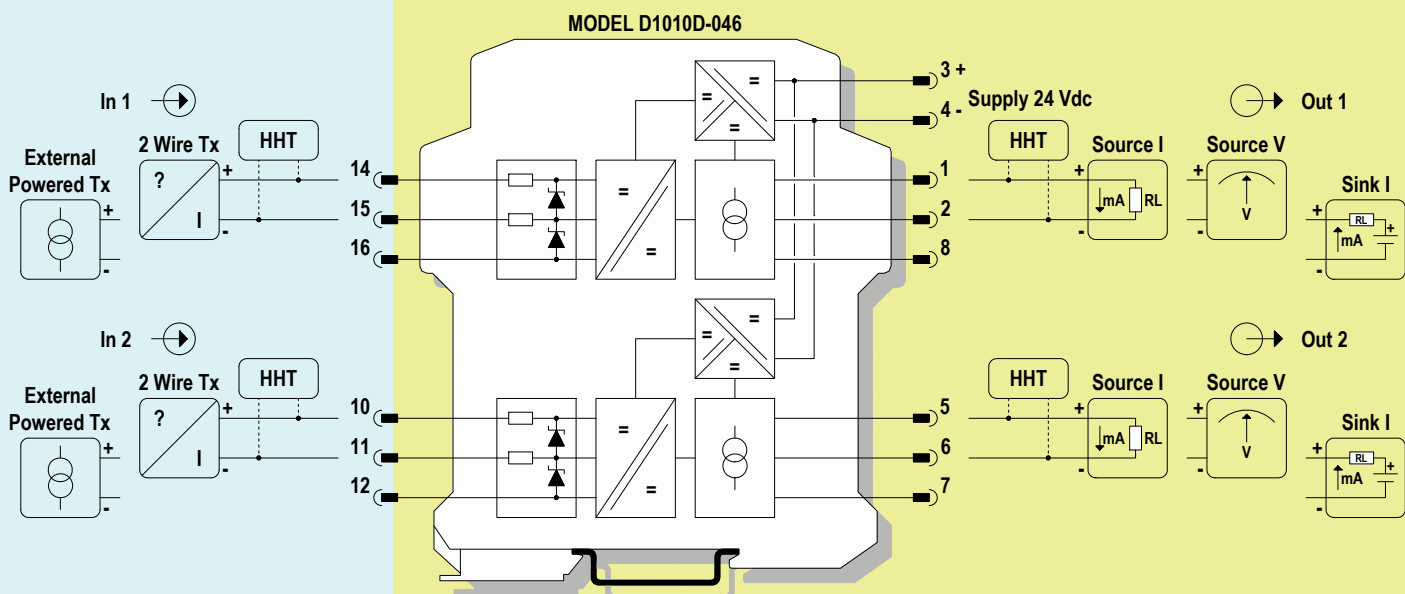
D1010-046 Terminals		D1010-046 Associated Apparatus Parameters	Must be	Hazardous Area Device Parameters
Ch1	15 - 16	$U_i / V_{max} = 30V$	\geq	U_o / V_{oc}
Ch2	11 - 12			
Ch1	15 - 16	$i_i / I_{max} = 104 \text{ mA}$	\geq	I_o / I_{sc}
Ch2	11 - 12			
Ch1	15 - 16	$C_i = 1.05 \text{ nF}$, $L_i = 0 \text{ nH}$		
Ch2	11 - 12			

For installations in which both the C_i and L_i of the Intrinsically Safe apparatus exceed 1% of the C_o and L_o parameters of the Associated Apparatus (excluding the cable), then 50% of C_o and L_o parameters are applicable and shall not be exceeded (50% of the C_o and L_o become the limits which must include the cable such that $C_i \text{ device} + C \text{ cable} \leq 50\% \text{ of } C_o$ and $L_i \text{ device} + L \text{ cable} \leq 50\% \text{ of } L_o$). The reduced capacitance of the external circuit (including cable) shall not be greater than 1 μF for Groups I, IIA, IIB and 600 nF for Group IIC. If the cable parameters are unknown, the following value may be used: Capacitance 200 pF per meter (60 pF per foot), Inductance 1 μH per meter (0.20 μH per foot).

Function Diagram

HAZARDOUS AREA ZONE 0 (ZONE 20), GROUP IIC

SAFE AREA, ZONE 2, GROUP IIC T4



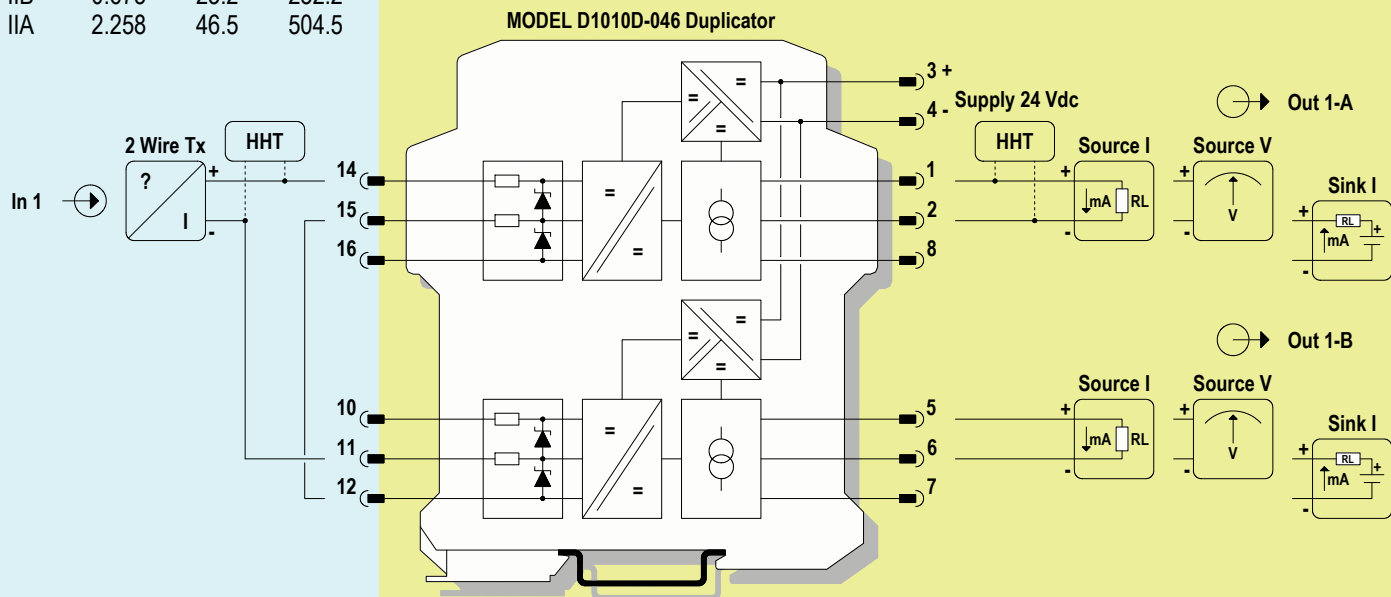
HAZARDOUS AREA ZONE 0 (ZONE 20), GROUP IIC

SAFE AREA, ZONE 2, GROUP IIC T4

Safety Description

Terminals 14-11
 $U_o/V_{oc} = 27.4\text{ V}$
 $I_o/I_{sc} = 79\text{ mA}$
 $P_o/P_o = 542\text{ mW}$

Group	Co/Ca (μF)	Lo/La (mH)	Lo/Ro ($\mu\text{H}/\Omega$)
Cenelec			
IIC	0.085	5.8	63.0
IIB	0.675	23.2	252.2
IIA	2.258	46.5	504.5



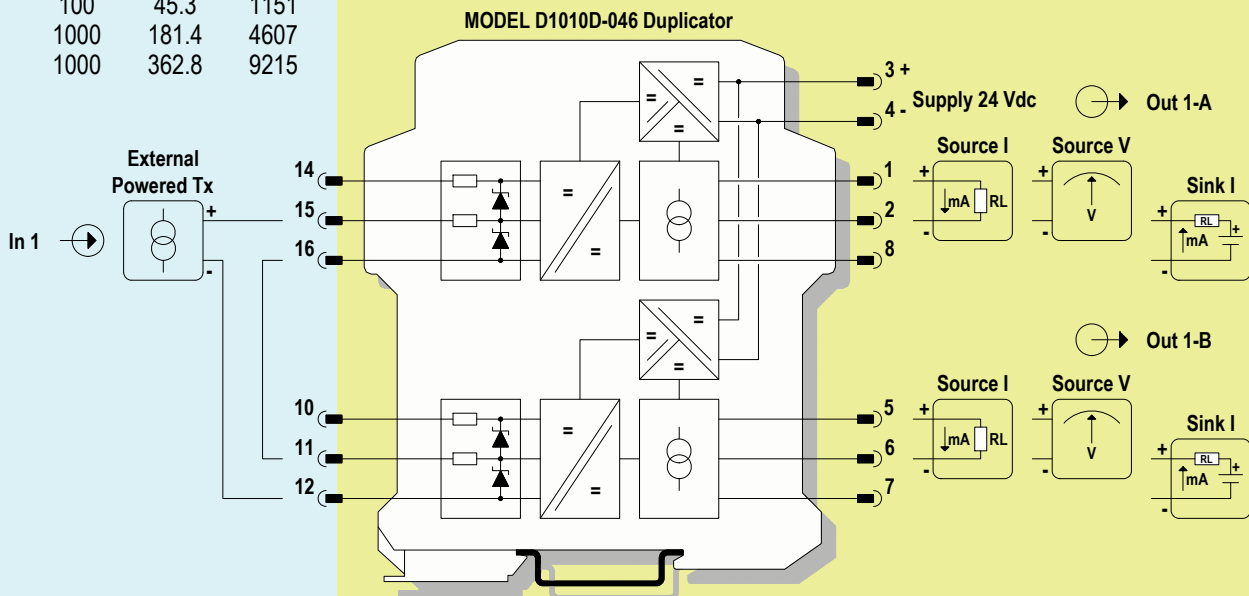
Connections for Duplication of 2 wires Transmitter Input

Restriction on specifications for 2 wires Transmitter Input:
 Bidirectional communication for Smart Transmitter is provided only on channel 1
 The minimum supply voltage available for Transmitter (V_{tx}) is 12.9 V at 20 mA input
 The safety parameters must be changed in: $U_o/V_{oc} = 27.4\text{ V}$, $I_o/I_{sc} = 79\text{ mA}$, $P_o/P_o = 542\text{ mW}$

Safety Description

Terminals 15-12
 $U_o/V_{oc} = 2.2\text{ V}$
 $I_o/I_{sc} = 28\text{ mA}$
 $P_o/P_o = 16\text{ mW}$

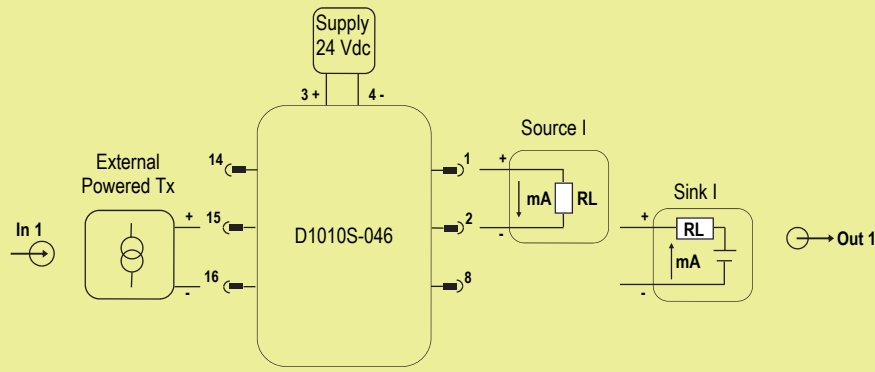
Group	Co/Ca (μF)	Lo/La (mH)	Lo/Ro ($\mu\text{H}/\Omega$)
Cenelec			
IIC	100	45.3	1151
IIB	1000	181.4	4607
IIA	1000	362.8	9215



Connections for Duplication of Active Input Signals

Restriction on specifications for external powered Transmitter:
 The voltage drop must be changed in 2.2 V maximum
 The safety parameters must be changed in: $U_o/V_{oc} = 2.2\text{ V}$, $I_o/I_{sc} = 28\text{ mA}$, $P_o/P_o = 16\text{ mW}$

Application for D1010S-046, with active input (external powered Tx)



Description:

For this application, enable 4 - 20 mA output current (source or sink) mode, setting the internal dip-switches in the following mode (see page 13 for more information):

Dip-switch position (D1010S-046)	1	2	3	4
Output Source/Sink current mode	OFF	OFF	-	-

The module is powered by connecting 24 Vdc power supply to Pins 3 (+ positive) and 4 (- negative).

The green LED is lit in presence of the supply line.

The active input signal from external powered Tx is applied to Pins 15-16.

The output current is applied to Pins 1-2 (for source current mode) or Pins 2-8 (for sink current mode).

Safety Function and Failure behavior:

D1010S-046 is considered to be operating in Low Demand mode, as a Type A module, having Hardware Fault Tolerance (HFT) = 0.

The failure behaviour of the D1010S-046 (when the output current range is 4 to 20 mA) is described by the following definitions:

- Fail-Safe State: it is defined as the output going to Fail Low or Fail High, considering that the Safety logic solver can convert the Low or High failures (dangerous detected failures) to the Fail-Safe state.
- Fail Safe: failure mode that causes the module / (sub)system to go to the defined fail-safe state without a demand from the process.
- Fail Dangerous: failure mode that does not respond to a demand from the process (i.e. being unable to go to the defined Fail-Safe state) or deviates the output current by more than 5% (0.8 mA) of full span.
- Fail High: failure mode that causes the output signal to go above the maximum output current (> 20 mA). Assuming that the application program in the Safety logic solver is configured to detect High failures and does not automatically trip on these failures, this failure mode has been classified as a dangerous detected (DD) failure.
- Fail Low: failure mode that causes the output signal to go below the minimum output current (< 4 mA). Assuming that the application program in the Safety logic solver is configured to detect Low failures and does not automatically trip on these failures, this failure mode has been classified as a dangerous detected (DD) failure.
- Fail "No Effect": failure mode of a component that plays a part in implementing the Safety Function but that is neither a safe failure nor a dangerous failure. When calculating the SFF, this failure mode is not taken into account.
- Fail "Not part": failure mode of a component which is not part of the safety function but part of the circuit diagram and is listed for completeness. When calculating the SFF this failure mode is not taken into account.

Failure rate data: taken from Siemens Standard SN29500.

Failure rate table:

Failure category	Failure rates (FIT)
λ_{dd} = Total Dangerous Detected failures	121.58
λ_{du} = Total Dangerous Undetected failures	29.43
λ_{sd} = Total Safe Detected failures	0.00
λ_{su} = Total Safe Undetected failures	0.00
$\lambda_{tot\ safe}$ = Total Failure Rate (Safety Function) = $\lambda_{dd} + \lambda_{du} + \lambda_{sd} + \lambda_{su}$	151.01
MTBF (safety function, single channel) = $(1 / \lambda_{tot\ safe}) + MTTR$ (8 hours)	755 years
$\lambda_{no\ effect}$ = "No effect" failures	192.59
$\lambda_{not\ part}$ = "Not Part" failures	65.00
$\lambda_{tot\ device}$ = Total Failure Rate (Device) = $\lambda_{tot\ safe} + \lambda_{no\ effect} + \lambda_{not\ part}$	408.60
MTBF (device, single channel) = $(1 / \lambda_{tot\ device}) + MTTR$ (8 hours)	279 years

Failure rates table according to IEC 61508:2010 Ed.2 :

λ_{sd}	λ_{su}	λ_{dd}	λ_{du}	SFF	DC _s	DC _D
0.00 FIT	0.00 FIT	121.58 FIT	29.43 FIT	80.51%	0%	80.51%

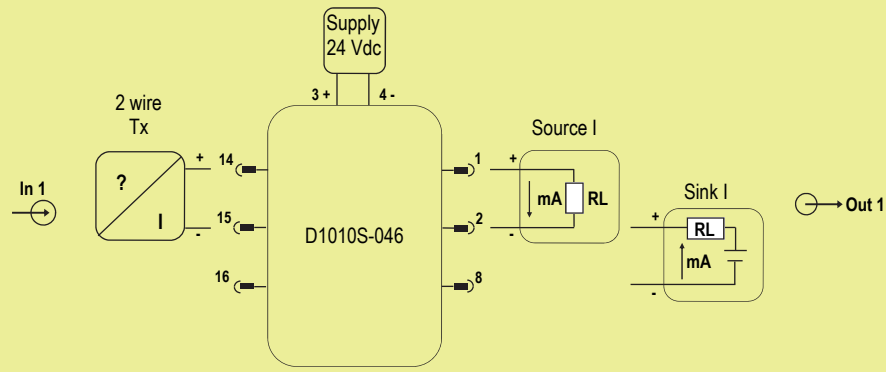
PFDavg vs T[Proof] table (assuming Proof Test coverage of 99%), with determination of SIL supposing module contributes ≤10% of total SIF dangerous failures:

T[Proof] = 1 year	T[Proof] = 7 years
PFDavg = 1.30 E-04 - Valid for SIL 2	PFDavg = 9.11 E-04 - Valid for SIL 2

PFDavg vs T[Proof] table (assuming Proof Test coverage of 99%), with determination of SIL supposing module contributes >10% of total SIF dangerous failures:

T[Proof] = 10 years
PFDavg = 1.30 E-03 - Valid for SIL 2

Systematic capability SIL 3.



Description:

For this application, enable 4 - 20 mA output current (source or sink) mode, setting the internal dip-switches in the following mode (see page 13 for more information):

Dip-switch position (D1010S-046)	1	2	3	4
Output Source/Sink current mode	OFF	OFF	-	-

The module is powered by connecting 24 Vdc power supply to Pins 3 (+ positive) and 4 (- negative).
 The green LED is lit in presence of the supply line.
 The passive input signal from 2 wires Tx is applied to Pins 14-15.
 The output current is applied to Pins 1-2 (for source current mode) or Pins 2-8 (for sink current mode).

Safety Function and Failure behavior:

D1010S-046 is considered to be operating in Low Demand mode, as a Type A module, having Hardware Fault Tolerance (HFT) = 0.

The failure behaviour of the D1010S-046 (when the output current range is 4 to 20 mA) is described by the following definitions:

- Fail-Safe State: it is defined as the output going to Fail Low or Fail High, considering that the Safety logic solver can convert the Low or High failures (dangerous detected failures) to the Fail-Safe state.
- Fail Safe: failure mode that causes the module / (sub)system to go to the defined fail-safe state without a demand from the process.
- Fail Dangerous: failure mode that does not respond to a demand from the process (i.e. being unable to go to the defined Fail-Safe state) or deviates the output current by more than 5% (0.8 mA) of full span.
- Fail High: failure mode that causes the output signal to go above the maximum output current (> 20 mA). Assuming that the application program in the Safety logic solver is configured to detect High failures and does not automatically trip on these failures, this failure mode has been classified as a dangerous detected (DD) failure.
- Fail Low: failure mode that causes the output signal to go below the minimum output current (< 4 mA). Assuming that the application program in the Safety logic solver is configured to detect Low failures and does not automatically trip on these failures, this failure mode has been classified as a dangerous detected (DD) failure.
- Fail "No Effect": failure mode of a component that plays a part in implementing the Safety Function but that is neither a safe failure nor a dangerous failure. When calculating the SFF, this failure mode is not taken into account.
- Fail "Not part": failure mode of a component which is not part of the safety function but part of the circuit diagram and is listed for completeness. When calculating the SFF this failure mode is not taken into account.

Failure rate data: taken from Siemens Standard SN29500.

Failure rate table:

Failure category	Failure rates (FIT)
λ_{dd} = Total Dangerous Detected failures	139.73
λ_{du} = Total Dangerous Undetected failures	33.18
λ_{sd} = Total Safe Detected failures	0.00
λ_{su} = Total Safe Undetected failures	0.00
$\lambda_{tot\ safe}$ = Total Failure Rate (Safety Function) = $\lambda_{dd} + \lambda_{du} + \lambda_{sd} + \lambda_{su}$	172.91
MTBF (safety function, single channel) = $(1 / \lambda_{tot\ safe}) + MTTR$ (8 hours)	660 years
$\lambda_{no\ effect}$ = "No effect" failures	219.69
$\lambda_{not\ part}$ = "Not Part" failures	16.00
$\lambda_{tot\ device}$ = Total Failure Rate (Device) = $\lambda_{tot\ safe} + \lambda_{no\ effect} + \lambda_{not\ part}$	408.60
MTBF (device, single channel) = $(1 / \lambda_{tot\ device}) + MTTR$ (8 hours)	279 years

Failure rates table according to IEC 61508:2010 Ed.2 :

λ_{sd}	λ_{su}	λ_{dd}	λ_{du}	SFF	DC _s	DC _D
0.00 FIT	0.00 FIT	139.73 FIT	33.18 FIT	80.81%	0%	80.81%

PFDavg vs T[Proof] table (assuming Proof Test coverage of 99%), with determination of SIL supposing module contributes ≤10% of total SIF dangerous failures:

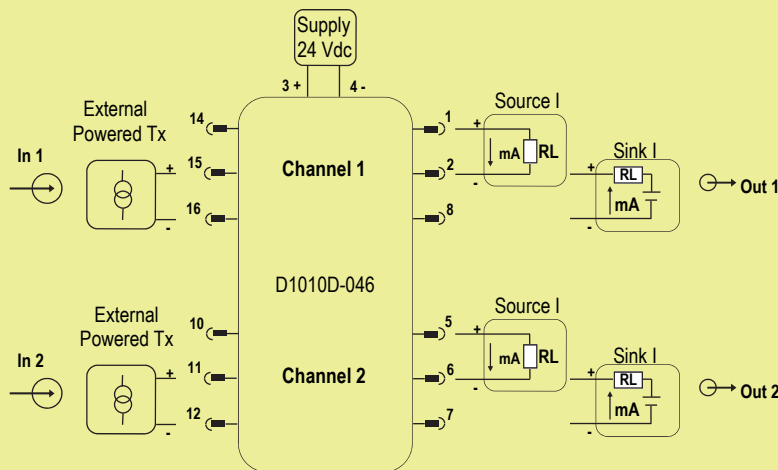
T[Proof] = 1 year	T[Proof] = 6 years
PFDavg = 1.47 E-04 - Valid for SIL 2	PFDavg = 8.80 E-04 - Valid for SIL 2

PFDavg vs T[Proof] table (assuming Proof Test coverage of 99%), with determination of SIL supposing module contributes >10% of total SIF dangerous failures:

T[Proof] = 10 years
PFDavg = 1.47 E-03 - Valid for SIL 2

Systematic capability SIL 3.

Application for D1010D-046, with active input (external powered Tx)



Description:

For this application, enable 4 - 20 mA output current (source or sink) mode for each channel of D1010D-046, setting the internal dip-switches in the following mode (see page 13 for more information):

Dip-switch position (D1010D-046)	1	2	3	4
Output Source/Sink current mode	OFF	OFF	OFF	OFF

The module is powered by connecting 24 Vdc power supply to Pins 3 (+ positive) and 4 (- negative).

The green LED is lit in presence of the supply line.

The active input signal from external powered Tx is applied to Pins 15-16 (for Ch. 1) or to Pins 11-12 (for Ch. 2).

The output current is applied to Pins 1-2 (for source current mode) or Pins 2-8 (for sink current mode) for Ch. 1 or to Pins 5-6 (for source current mode) or Pins 6-7 (for sink current mode) for Ch. 2.

Safety Function and Failure behavior:

D1010D-046 is considered to be operating in Low Demand mode, as a Type A module, having Hardware Fault Tolerance (HFT) = 0.

The failure behaviour of the D1010D-046 (when the output current range is 4 to 20 mA) is described by the following definitions:

- Fail-Safe State: it is defined as the output going to Fail Low or Fail High, considering that the Safety logic solver can convert the Low or High failures (dangerous detected failures) to the Fail-Safe state.
- Fail Safe: failure mode that causes the module / (sub)system to go to the defined fail-safe state without a demand from the process.
- Fail Dangerous: failure mode that does not respond to a demand from the process (i.e. being unable to go to the defined Fail-Safe state) or deviates the output current by more than 5% (0.8 mA) of full span.
- Fail High: failure mode that causes the output signal to go above the maximum output current (> 20 mA). Assuming that the application program in the Safety logic solver is configured to detect High failures and does not automatically trip on these failures, this failure mode has been classified as a dangerous detected (DD) failure.
- Fail Low: failure mode that causes the output signal to go below the minimum output current (< 4 mA). Assuming that the application program in the Safety logic solver is configured to detect Low failures and does not automatically trip on these failures, this failure mode has been classified as a dangerous detected (DD) failure.
- Fail "No Effect": failure mode of a component that plays a part in implementing the Safety Function but that is neither a safe failure nor a dangerous failure.

When calculating the SFF, this failure mode is not taken into account.

- Fail "Not part": failure mode of a component which is not part of the safety function but part of the circuit diagram and is listed for completeness.

When calculating the SFF this failure mode is not taken into account.

This analysis is also valid for D1010D-046 as Duplicator of Active Input Signal.

Failure rate data: taken from Siemens Standard SN29500.

Failure rate table:

Failure category	Failure rates (FIT)
λ_{dd} = Total Dangerous Detected failures	125.60
λ_{du} = Total Dangerous Undetected failures	29.46
λ_{sd} = Total Safe Detected failures	0.00
λ_{su} = Total Safe Undetected failures	0.00
$\lambda_{tot\ safe}$ = Total Failure Rate (Safety Function) = $\lambda_{dd} + \lambda_{du} + \lambda_{sd} + \lambda_{su}$	155.06
MTBF (safety function, one channel) = $(1 / \lambda_{tot\ safe}) + MTTR$ (8 hours)	736 years
$\lambda_{no\ effect}$ = "No effect" failures	196.04
$\lambda_{not\ part}$ = "Not Part" failures	399.90
$\lambda_{tot\ device}$ = Total Failure Rate (Device) = $\lambda_{tot\ safe} + \lambda_{no\ effect} + \lambda_{not\ part}$	751.00
MTBF (device, one channel) = $(1 / \lambda_{tot\ device}) + MTTR$ (8 hours)	152 years

Failure rates table according to IEC 61508:2010 Ed.2 :

λ_{sd}	λ_{su}	λ_{dd}	λ_{du}	SFF	DC _s	DC _D
0.00 FIT	0.00 FIT	125.60 FIT	29.46 FIT	81.00%	0%	81.00%

PFDavg vs T[Proof] table (assuming Proof Test coverage of 99%), with determination of SIL supposing module contributes ≤10% of total SIF dangerous failures:

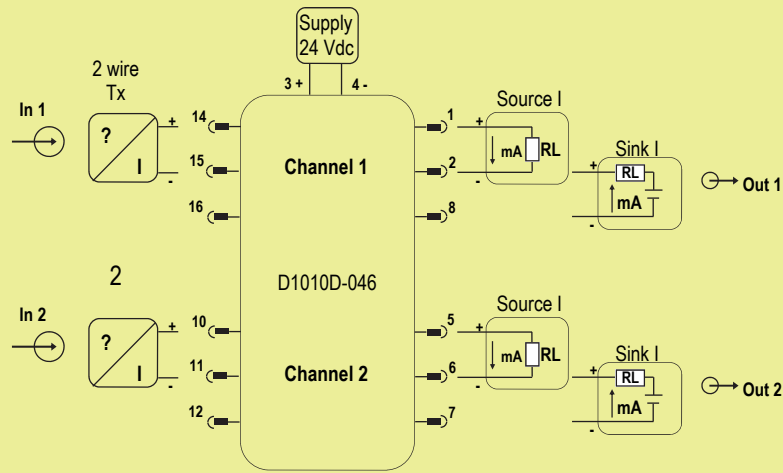
T[Proof] = 1 year	T[Proof] = 7 years
PFDavg = 1.30 E-04 - Valid for SIL 2	PFDavg = 9.12 E-04 - Valid for SIL 2

PFDavg vs T[Proof] table (assuming Proof Test coverage of 99%), with determination of SIL supposing module contributes >10% of total SIF dangerous failures:

T[Proof] = 10 years
PFDavg = 1.30 E-03 - Valid for SIL 2

Systematic capability SIL 3.

Application for D1010D, with passive input (2 wires Tx)



Description:

For this application, enable 4 - 20 mA output current (source or sink) mode for each channel of D1010D, setting the internal dip-switches in the following mode (see page 13 for more information):

Dip-switch position (D1010D-046)	1	2	3	4
Output Source/Sink current mode	OFF	OFF	OFF	OFF

The module is powered by connecting 24 Vdc power supply to Pins 3 (+ positive) and 4 (- negative).
The green LED is lit in presence of the supply line.

The passive input signal from 2 wires Tx is applied to Pins 14-15 (for Ch. 1) or to Pins 10-11 (for Ch. 2).

The output current is applied to Pins 1-2 (for source current mode) or Pins 2-8 (for sink current mode) for Ch. 1 or to Pins 5-6 (for source current mode) or Pins 6-7 (for sink current mode) for Ch. 2.

Safety Function and Failure behavior:

D1010D-046 is considered to be operating in Low Demand mode, as a Type A module, having Hardware Fault Tolerance (HFT) = 0.

The failure behaviour of the D1010D-046 (when the output current range is 4 to 20 mA) is described by the following definitions:

- Fail-Safe State: it is defined as the output going to Fail Low or Fail High, considering that the Safety logic solver can convert the Low or High failures (dangerous detected failures) to the Fail-Safe state.
- Fail Safe: failure mode that causes the module / (sub)system to go to the defined fail-safe state without a demand from the process.
- Fail Dangerous: failure mode that does not respond to a demand from the process (i.e. being unable to go to the defined Fail-Safe state) or deviates the output current by more than 5% (0.8 mA) of full span.
- Fail High: failure mode that causes the output signal to go above the maximum output current (> 20 mA). Assuming that the application program in the Safety logic solver is configured to detect High failures and does not automatically trip on these failures, this failure mode has been classified as a dangerous detected (DD) failure.
- Fail Low: failure mode that causes the output signal to go below the minimum output current (< 4 mA). Assuming that the application program in the Safety logic solver is configured to detect Low failures and does not automatically trip on these failures, this failure mode has been classified as a dangerous detected (DD) failure.
- Fail "No Effect": failure mode of a component that plays a part in implementing the Safety Function but that is neither a safe failure nor a dangerous failure. When calculating the SFF, this failure mode is not taken into account.
- Fail "Not part": failure mode of a component which is not part of the safety function but part of the circuit diagram and is listed for completeness. When calculating the SFF this failure mode is not taken into account.

Failure rate data: taken from Siemens Standard SN29500.

Failure rate table:

Failure category	Failure rates (FIT)
λ_{dd} = Total Dangerous Detected failures	143.75
λ_{du} = Total Dangerous Undetected failures	33.21
λ_{sd} = Total Safe Detected failures	0.00
λ_{su} = Total Safe Undetected failures	0.00
$\lambda_{tot\ safe}$ = Total Failure Rate (Safety Function) = $\lambda_{dd} + \lambda_{du} + \lambda_{sd} + \lambda_{su}$	176.96
MTBF (safety function, single channel) = $(1 / \lambda_{tot\ safe}) + MTTR$ (8 hours)	645 years
$\lambda_{no\ effect}$ = "No effect" failures	223.14
$\lambda_{not\ part}$ = "Not Part" failures	350.90
$\lambda_{tot\ device}$ = Total Failure Rate (Device) = $\lambda_{tot\ safe} + \lambda_{no\ effect} + \lambda_{not\ part}$	751.00
MTBF (device, single channel) = $(1 / \lambda_{tot\ device}) + MTTR$ (8 hours)	152 years

Failure rates table according to IEC 61508:2010 Ed.2 :

λ_{sd}	λ_{su}	λ_{dd}	λ_{du}	SFF	DC _s	DC _D
0.00 FIT	0.00 FIT	143.75 FIT	33.21 FIT	81.23%	0%	81.23%

PFDavg vs T[Proof] table (assuming Proof Test coverage of 99%), with determination of SIL supposing module contributes ≤10% of total SIF dangerous failures:

T[Proof] = 1 year	T[Proof] = 6 years
PFDavg = 1.47 E-04 - Valid for SIL 2	PFDavg = 8.81 E-04 - Valid for SIL 2

PFDavg vs T[Proof] table (assuming Proof Test coverage of 99%), with determination of SIL supposing module contributes >10% of total SIF dangerous failures:

T[Proof] = 10 years
PFDavg = 1.47 E-03 - Valid for SIL 2

Systematic capability SIL 3.

Testing procedure at T-proof

The proof test must be performed to reveal dangerous faults which cannot be otherwise detected. This means that it is necessary to specify how dangerous undetected faults, which have been noted during the FMEDA analysis, can be revealed during the proof test. The **Proof Test 1** consists of the following steps:

Steps	Action
1	Bypass the Safety-related PLC or take any other appropriate action to avoid a false trip.
2	Send a HART command to the repeater to go to the High (> 20 mA) alarm current output and verify that the analog current reaches that value. This test is for voltage compliance problems, such as a low loop power supply voltage or an increased wiring resistance, and for other possible failures.
3	Send a HART command to the repeater to go to the Low (< 4 mA) alarm current output and verify that the analog current reaches that value. This test is for possible quiescent current related failures.
4	Restore the loop to full operation.
5	Remove the bypass from the Safety-related PLC or restore normal operation.

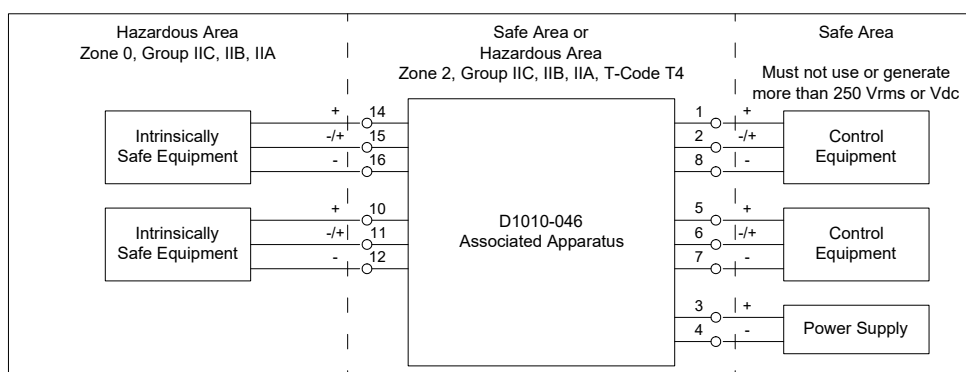
This test will reveal approximately 50% of possible Dangerous Undetected failures in the repeater. The **Proof Test 2** consists of the following steps:

Steps	Action
1	Bypass the Safety-related PLC or take any other appropriate action to avoid a false trip.
2	Perform steps 2 and 3 of the Proof Test 1 .
3	Perform a two-point calibration (i.e. down and full scale) of the connected transmitter and verify that the current output value remains within the specified values. This requires that the transmitter has already been tested without the repeater and does not contain any dangerous undetected failures.
4	Restore the loop to full operation.
5	Remove the bypass from the safety-related PLC or restore normal operation.

This test will reveal approximately 99 % of possible Dangerous Undetected failures in the repeater.

Warning

D1010-046 series are isolated Intrinsically Safe Associated Apparatus installed into standard EN/IEC60715 TH 35 DIN-Rail located in Safe Area or Zone 2, Group IIC, Temperature Classification T4 Hazardous Area within the specified operating temperature limits Tamb -20 to +60 °C, and connected to equipment with a maximum limit for AC power supply Um of 250 Vrms.



Not to be connected to control equipment that uses or generates more than 250 Vrms or Vdc with respect to earth ground. D1010-046 must be installed, operated and maintained only by qualified personnel, in accordance to the relevant national/international installation standards (e.g. IEC/EN60079-14 Electrical apparatus for explosive gas atmospheres - Part 14: Electrical installations in hazardous areas (other than mines), BS 5345 Pt4, VDE 165) following the established installation rules, particular care shall be given to segregation and clear identification of I.S. conductors from non I.S. ones. De-energize power source (turn off power supply voltage) before plug or unplug the terminal blocks when installed in Hazardous Area or unless area is known to be nonhazardous. **Warning: substitution of components may impair Intrinsic Safety and suitability for, Zone 2.**

Explosion Hazard: to prevent ignition of flammable or combustible atmospheres, disconnect power before servicing or unless area is known to be nonhazardous.

Failure to properly installation or use of the equipment may risk to damage the unit or severe personal injury. The unit cannot be repaired by the end user and must be returned to the manufacturer or his authorized representative. Any unauthorized modification must be avoided.

Operation

D1010-046 provides fully floating DC supply for energizing 2 wire 4-20 mA transmitters, or separately powered 3, 4 wire, 0/4-20 mA transmitters located in Hazardous Area, and repeats and converts the current to a 0/4-20 mA or 0/1-5 V floating output signal to drive a Safe Area load.

The circuit allows bi-directional communication signal for smart transmitters, a "POWER ON" green led lits when input power is present.

Installation

D1010-046 are repeater power supply smart/hart compatible housed in a plastic enclosure suitable for installation on EN/IEC60715 TH 35 DIN-Rail. D1010-046 unit can be mounted with any orientation over the entire ambient temperature range, see section "Installation in Cabinet" and "Installation of Electronic Equipments in Cabinet" Instruction Manual D1000 series for detailed instructions. Electrical connection of conductors up to 2.5 mm² are accommodated by polarized plug-in removable screw terminal blocks which can be plugged in/out into a powered unit without suffering or causing any damage (**for Zone 2 installations check the area to be nonhazardous before servicing**).

The wiring cables have to be proportionate in base to the current and the length of the cable. On the section "Function Diagram" and enclosure side a block diagram identifies all connections and configuration DIP switches. Identify the number of channels of the specific card (e.g. D1010S-046 is a single channel model and D1010D-046 is a dual channel model), the function and location of each connection terminal using the wiring diagram on the corresponding section, as an example:

Connect 24 Vdc power supply positive at terminal "3" and negative at terminal "4".

For Model D1010S-046 connect positive output of channel 1 (mA source mode) at terminal "1" and negative output at "2".

For Model D1010D-046 in addition to channel 1 connections above, connect positive output of channel 2 at terminal "5" and negative output at "6".

For Model D1010S-046, in case of a 2 wire Transmitter, connect the wires at terminal "14" for positive and "15" for negative.

For separately powered Transmitters connect input signal at terminal "15" for positive and "16" for negative.

For Model D1010D-046 in addition to channel 1 connections above, connect terminal "10" for positive and "11" for negative on channel 2.

Connect input signal from separately powered Transmitters at terminals "11" for positive and "12" for negative channel 2.

Intrinsically Safe conductors must be identified and segregated from non I.S. and wired in accordance to the relevant national/international installation standards

(e.g. EN/IEC60079-14 Electrical apparatus for explosive gas atmospheres - Part 14: Electrical installations in hazardous areas (other than mines), BS 5345 Pt4, VDE 165), make sure that conductors are well isolated from each other and do not produce any unintentional connection. The enclosure provides, according to EN/IEC 60529, an IP20 minimum degree of protection. The equipment shall only be used in an area of at least pollution degree 2, as defined in EN/IEC 60664-1. For hazardous location, the unit shall be installed in an enclosure that provides a minimum ingress protection of IP54 in accordance with EN/IEC 60079-0, that must have a door or cover accessible only by the use of a tool. Units must be protected against dirt, dust, extreme mechanical (e.g. vibration, impact and shock) and thermal stress, and casual contacts. If enclosure needs to be cleaned use only a cloth lightly moistened by a mixture of detergent in water. **Electrostatic Hazard: to avoid electrostatic hazard, the enclosure of D1010-046 must be cleaned only with a damp or antistatic cloth.** Any penetration of cleaning liquid must be avoided to prevent damage to the unit. Any unauthorized card modification must be avoided. According to EN61010, D1010-046 series must be connected to SELV or SELV-E supplies.

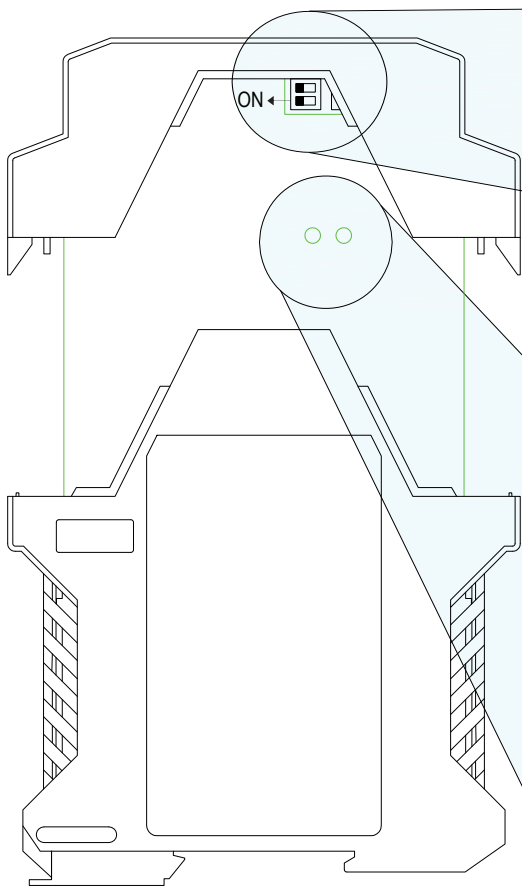
Start-up

Before powering the unit check that all wires are properly connected, particularly supply conductors and their polarity, input and output wires, also check that Intrinsically Safe conductors and cable trays are segregated (no direct contacts with other non I.S. conductors) and identified either by color coding, preferably blue, or by marking. Check conductors for exposed wires that could touch each other causing dangerous unwanted shorts. Turn on power, the "power on" green led must be lit, for 2 wire transmitter connection the supply voltage on each channel must be ≥ 14 V, output signal should be corresponding to the input from the transmitter. If possible change the transmitter output and check the corresponding Safe Area output.

Configuration

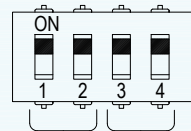
An output configuration DIP Switch is located on component side of pcb, by closing switch "ON" (1-2 for channel 1, 3-4 for channel 2) output signal is configured for 0/1-5 Volts (250 W internal shunt), opening the switch produces the conventional 0/4-20 mA.

Side A Panel View



Dip switch configuration

Switch positions



Current Output is factory settings

For SIL applications.



OFF position
Ch1 current output
0/4-20 mA



OFF position
Ch2 current output
0/4-20 mA

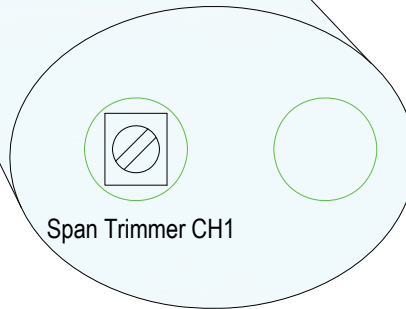


ON position
Ch1 voltage output
0/1-5 V



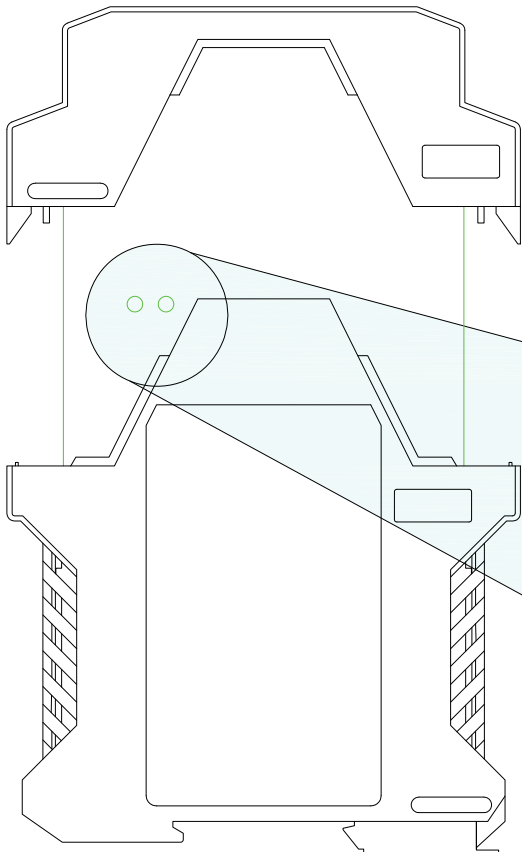
ON position
Ch2 voltage output
0/1-5 V

Calibration Trimmer Ch1



Span Trimmer CH1

Side B Panel View

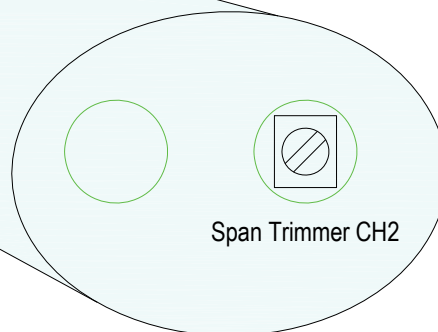


Screwdriver
for Trimmers
1 x 0.5 mm



Turn the trimmer clockwise to Increase Output value or turn the trimmer counterclockwise if you want to decrease Output value.

Calibration Trimmer Ch2



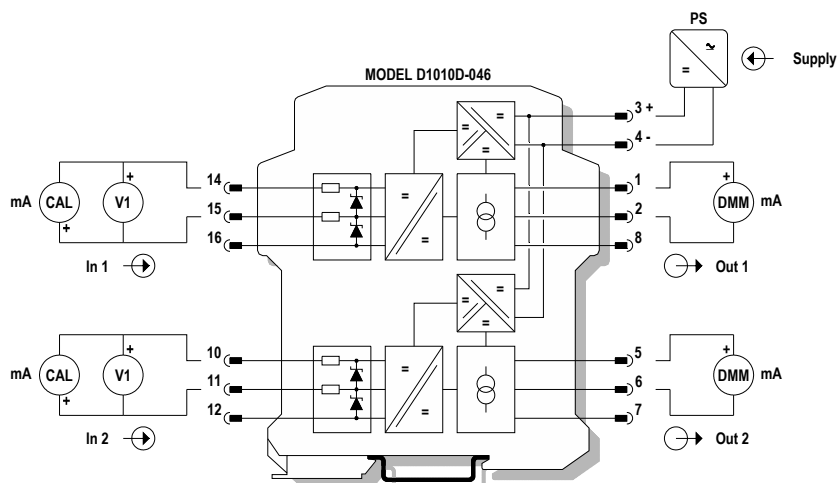
Span Trimmer CH2

In case a calibration check or readjustment is necessary the following equipment is required:

Equipment Required	Instrument	Identification
Adjustable Power Supply Range 0-35 V Resolution 0.1 V, Accuracy 1% Output Capability 200 mA	Agilent E3611A	PS
Current Meter range 20 mA, Resolution 1 μ A Accuracy 0.01% or Voltage Meter Range 10 V, Resolution 1 mV Accuracy 0.01%	Agilent 34410A	DMM
Voltage Meter range 30 V, Resolution 1 mV Accuracy 0.05 %	Fluke 175	V1
Current Calibrator range 20 mA, Resolution 1 μ A Accuracy 0.01 %	Yokogawa 7651	CAL

(1) For current output please follow step 1

- Check that dip switch in the unit is in position "OFF" (see "Configuration" section). Connect the unit as shown below:



- Set power supply (PS) at 24.0 V at terminals 3 (+) and 4 (-), the calibrator (CAL) in the function "mA" 20 mA range at terminals 14 (-) and 15 (+), the multimeter (V1) for the reading in DC supply 30 V range at terminals 14 (+) and 15 (-), the multimeter (DMM) for the reading in DC supply 20 mA range at terminals 1 (+) and 2 (-).
- Execute the next test to verify D1010S unit channel or execute it twice to verified both D1010D unit channels.
- Verify that green led on the front panel is ON.

If the power ON Led is off, check supply voltage, polarity and wiring.

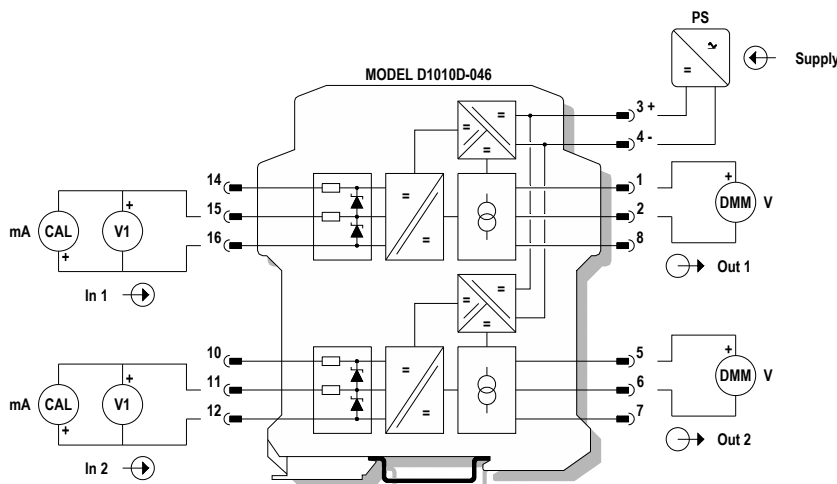
- Set calibrator (CAL) at 4.000 mA and verify that the output current, read by multimeter (DMM), is correspondent with a maximum deviation presented in the section "Technical Data".
- Set calibrator (CAL) at 20.000 mA and verify that the output current, read by multimeter (DMM), is correspondent with a maximum deviation presented in the section "Technical Data".

If the maximum deviation is exceeded, repeat the board calibration and proceed in the following way:

- Set the calibrator (CAL) at 20.000 mA and regulate the current, read by multimeter (DMM), by turning the span trimmer of the unit (see "Configuration" section) until reading 20.000 mA \pm 5 μ A value.
- To execute a linearity test: set the calibrator (CAL) at 4.000, 8.000, 12.000, 16.000, 20.000 mA and verify current output is correspondent with a maximum deviation presented in the section "Technical Data".
- Set calibrator (CAL) at 20.000 mA and power supply (PS) at 20.0 V; verify that multimeter (V1) reads input voltage as presented in the section "Technical Data".

(2) For voltage output please follow step 2

- Check that dip switch in the unit is in position "ON" (see "Configuration" section). Connect the unit as shown below:



- Set multimeter (DMM) for the reading in DC supply, 10 V range.
- Set calibrator (CAL) at 20.000 mA and power supply (PS) at 20.0 V; verify that output voltage (20 mA current on the 250 Ω shunt resistance) read by multimeter (DMM) is 5.000 V \pm 10 mV.