



INSTRUCTION & SAFETY MANUAL

SIL 3 Switch/Proximity Interface
DIN-Rail and Termination Board
Models D5034S, D5034D



Characteristics

General Description: The single and dual channel Switch/Proximity Detector Interface, D5034S and D5034D is a high integrity repeater, designed to interface contacts or proximity detectors (EN60947-5-6, NAMUR) located in Hazardous Area and is suitable for applications requiring SIL 3 level (according to IEC 61508:2010 Ed. 2) in safety related systems for high risk industries.

Field loop integrity and status (line plus contact or proximitor) are continuously and directly monitored, in transparent mode, into the PLC, ESD, DCS using their existing input line, without requiring an additional channel for line fault detection.

PLC / DCS can detect the following conditions:

- 0.5 to 1.3 mA Input open condition
- 2.0 to 6.0 mA Input close condition
- 0 to 0.4 mA Input fault condition (Line break)
- 6.5 to 8.0 mA Input fault condition (Short circuit)

These are automatically detected for proximity switches inputs.

For contact inputs is necessary to install end of line resistors close to the contacts.

Mounting on standard DIN-Rail, with or without Power Bus, or on customized Termination Boards, in Safe Area or in Zone 2.



Functional Safety Management Certification:

G.M. International is certified by TÜV to conform to IEC61508:2010 part 1 clauses 5-6 for safety related systems up to and included SIL3.

Technical Data

Supply: 24 Vdc nom (18 to 30 Vdc) reverse polarity protected, ripple within voltage limits ≤ 5 Vpp, 2 A time lag fuse internally protected.

Current consumption @ 24 V: 30 mA for 2 channels D5034D, 15 mA for 1 channel D5034S with short circuit input, typical.

Power dissipation: 0.72 W for 2 channels D5034D, 0.36 W for 1 channel D5034S with 24 V supply voltage and short circuit input, typical.

Isolation (Test Voltage): I.S. In/Out 2.5 KV; I.S. In/Supply 2.5 KV; I.S. In/I.S. In 500 V; Out/Supply 500 V; Out/Out 500 V.

Input: Current levels: ≥ 0.1 mA to ≤ 8.0 mA

Input equivalent source: 8 V 1 K Ω typical (8 V no load, 8 mA short circuit).

Output: 0.1 to 8.0 mA in sink mode, V max. 30 V, current limited at ≈ 8 mA, repeats input current level.

Response time: 1 ms (0 to 100 % step change).

Output ripple: ≤ 20 mVrms.

Power dissipation: 0.4 W for 2 channels D5034D, 0.2 W for 1 channel D5034S short circuit input/output and 24 Vdc loop voltage, typical.

Performance: Ref. Conditions 24 V supply, 23 ± 1 °C ambient temperature.

Calibration accuracy: $\leq \pm 0.25$ % of full scale.

Linearity error: $\leq \pm 0.25$ % of full scale.

Supply voltage influence: $\leq \pm 0.05$ % of full scale for a min to max supply change.

Load influence: $\leq \pm 0.05$ % of full scale for a 0 to 100 % load resistance change.

Temperature influence: $\leq \pm 0.03$ % of full scale on zero and span for a 1 °C change.

Compatibility:

CE mark compliant, conforms to Directive: 2014/34/EU ATEX, 2014/30/EU EMC, 2014/35/EU LVD, 2011/65/EU RoHS.

Environmental conditions:

Operating: temperature limits - 40 to + 70 °C, relative humidity 95 %, up to 55 °C.

Storage: temperature limits - 45 to + 80 °C.

Max altitude: 2000 m a.s.l.

Safety Description:



ATEX: II 3(1)G Ex ec [ia Ga] IIC T4 Gc, II (1)D [Ex ia Da] IIIC, I (M1) [Ex ia Ma] I

IECEx / INMETRO: Ex ec [ia Ga] IIC T4 Gc, [Ex ia Da] IIIC, [Ex ia Ma] I,

UL: NI / I / 2 / ABCD / T4, AIS / I, II, III / 1 / ABCDEFG, AEx nA [ia Ga] IIC T4 Gc

C-UL: NI / I / 2 / ABCD / T4, AIS / I, II, III / 1 / ABCDEFG, Ex nA [ia Ga] IIC T4 Gc

FM: NI-AIS / I / 2 / ABCD / T4, AIS / I, II, III / 1 / ABCDEFG, I / 2 / AEx nA [ia] / IIC / T4

FMC: NI-AIS / I / 2 / ABCD / T4, AIS / I, II, III / 1 / ABCDEFG, I / 2 / Ex nA [ia] / IIC / T4

EAC-EX: 2Ex nA [ia Ga] IIC T4 Gc X, [Ex ia Da] IIIC X, [Ex ia Ma] I X

CCC: Ex ec [ia Ga] IIC T4 Gc; [Ex ia Da] IIIC; [Ex ia Ma] IIIC

UKR TR n. 898: 2ExnAiaIICT4 X, Exial X

associated apparatus and non-sparking electrical equipment.

Uo/Voc = 10.5 V, Io/Isc = 22 mA, Po/Po = 56 mW at terminals 7-8, 9-10.

Um = 250 Vrms, -40 °C \leq Ta \leq 70 °C.

Approvals:

BVS 10 ATEX E 113 X conforms to EN60079-0, EN60079-7, EN60079-11.

IECEx BVS 10.0072 X conforms to IEC60079-0, IEC60079-7, IEC60079-11.

INMETRO DNV 13.0109 X conforms to ABNT NBR IEC60079-0, ABNT NBR IEC60079-7, ABNT NBR IEC60079-11.

UL & C-UL E222308 conforms to UL913, UL 60079-0, UL60079-11, UL60079-15,

ANSI/ISA 12.12.01 for UL and CSA-C22.2 No.157-92, CSA-E60079-0, CSA-E60079-11, CSA-C22.2 No. 213 and CSA-E60079-15 for C-UL.

FM 3046304 and FMC 3046304C conforms to Class 3600, 3610, 3810, 3611,

ANSI/ISA-60079-0, ANSI/ISA-60079-11, ANSI/ISA-60079-15, C22.2 No.142, C22.2 No.157, C22.2 No.213, C22.2 No. 60079-0, C22.2 No. 60079-11, C22.2 No. 60079-15.

EAЭC RU C-IT.EX01.B.00018/19 conforms to GOST 31610.0, GOST 31610.11, GOST 31610.15.

CCC n. 2020322316000978 conforms to GB/T 3836.1, GB/T 3836.3, GB/T 3834.4

CU 16.0036 X conforms to ДСТУ 7113, ГОСТ 22782.5-78, ДСТУ IEC 60079-15.

TÜV Certificate No. C-IS-236198-04, SIL 2 / SIL 3 conforms to IEC61508:2010 Ed. 2.

SIL 3 Functional Safety TÜV Certificate conforms to IEC61508:2010 Ed.2, for Management of Functional Safety.

DNV No.A-13625 and KR No. MIL20769-EL002 Certificates for maritime applications.

Mounting:

EN/IEC60715 TH 35 DIN-Rail with or without Power Bus or on customized Termination Board.

Weight: about 140 g D5034D, 115 g D5034S.

Connection: by polarized plug-in disconnect screw terminal blocks to accommodate terminations up to 2.5 mm².

Location: installation in Safe Area/Non Hazardous Locations or Zone 2, Group IIC T4 or Class I, Division 2, Group A,B,C,D, T4 or Class I, Zone 2, Group IIC, T4.

Protection class: IP 20.

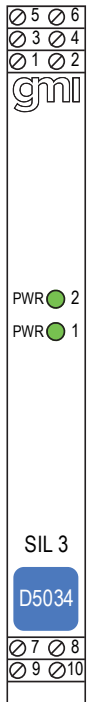
Dimensions: Width 12.5 mm, Depth 123 mm, Height 120 mm.

Ordering Information

Model:	D5034	
1 channel		S
2 channels		D

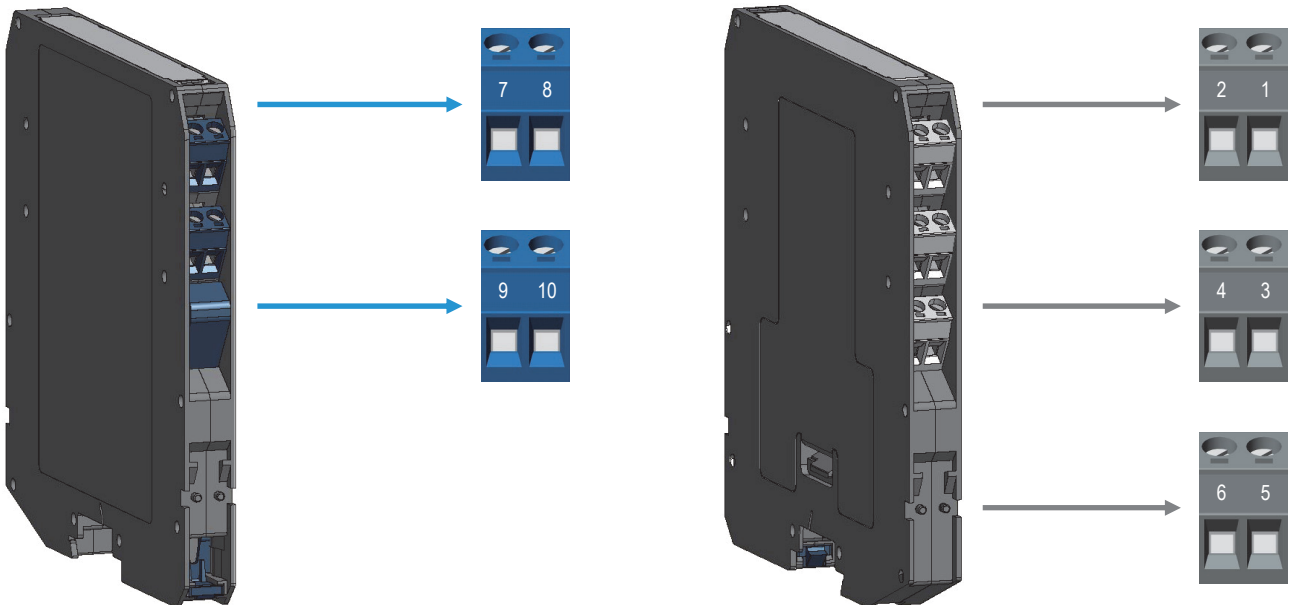
Power Bus and DIN-Rail accessories:
 Connector JDFT049 Cover and fix MCHP196
 Terminal block male MOR017 Terminal block female MOR022

Front Panel and Features



- SIL 3 according to IEC 61508:2010 Ed. 2 for Tproof = 1 / 10 yrs (≤10% / >10 % of total SIF).
- SIL 2 according to IEC 61508:2010 Ed. 2 for Tproof = 17 / 20 yrs (≤10% / >10 % of total SIF).
- PFDavg (1 year) 5.65 E-05, SFF 90.86 %.
- Systematic capability SIL 3
- 2 fully independent channels.
- Input from Zone 0 (Zone 20), installation in Zone 2.
- Transparent mode operation.
- Field open and short circuit detection available to the PLC/DCS card.
- Input and Output short circuit proof
- High Accuracy.
- Three port isolation, Input/Output/Supply.
- EMC Compatibility to EN61000-6-2, EN61000-6-4, EN61326-1, EN61326-3-1 for safety system.
- ATEX, IECEx, UL & C-UL, FM, FMC, INMETRO, EAC-EX, CCC, UKR TR n. 898, TÜV Certifications.
- TÜV Functional Safety Certification.
- Type Approval Certificate DNV and KR for maritime applications.
- High Density, two channels per unit.
- Simplified installation using standard DIN-Rail and plug-in terminal blocks, with or without Power Bus, or customized Termination Boards.
- 250 Vrms (Um) max. voltage allowed to the instruments associated with the barrier.

Terminal block connections



HAZARDOUS AREA

7	+ Input Ch 1 for Proximity or Voltage free Contact
8	- Input Ch 1 for Proximity or Voltage free Contact
9	+ Input Ch 2 for Proximity or Voltage free Contact
10	- Input Ch 2 for Proximity or Voltage free Contact

SAFE AREA

1	+ Output Ch 1
2	- Output Ch 1
3	+ Output Ch 2
4	- Output Ch 2
5	+ Power Supply 24 Vdc
6	- Power Supply 24 Vdc

Parameters Table

In the system safety analysis, always check the Hazardous Area/Hazardous Locations devices to conform with the related system documentation, if the device is Intrinsically Safe check its suitability for the Hazardous Area/Hazardous Locations and group encountered and that its maximum allowable voltage, current, power (U_i/V_{max} , I_i/I_{max} , P_i/P_i) are not exceeded by the safety parameters (U_o/V_{oc} , I_o/I_{sc} , P_o/P_o) of the D5034 series Associated Apparatus connected to it. Also consider the maximum operating temperature of the field device, Check that added connecting cable and field device capacitance and inductance do not exceed the limits (C_o/C_a , L_o/L_a , L_o/R_o) given in the Associated Apparatus parameters for the effective group. See parameters indicated in the table below:

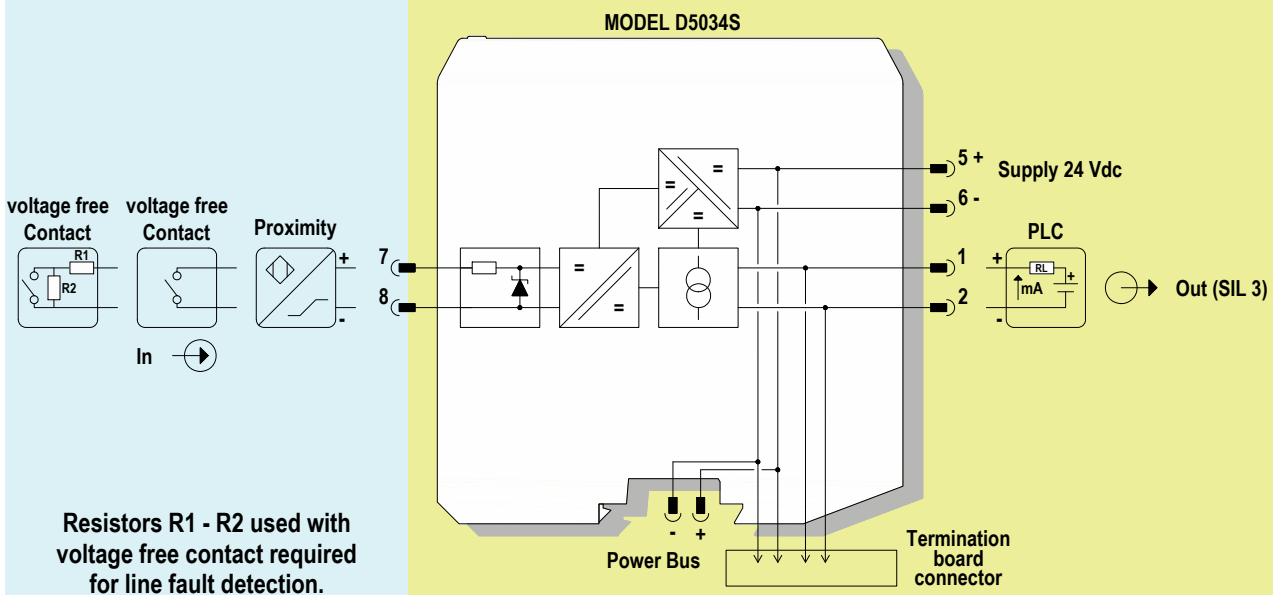
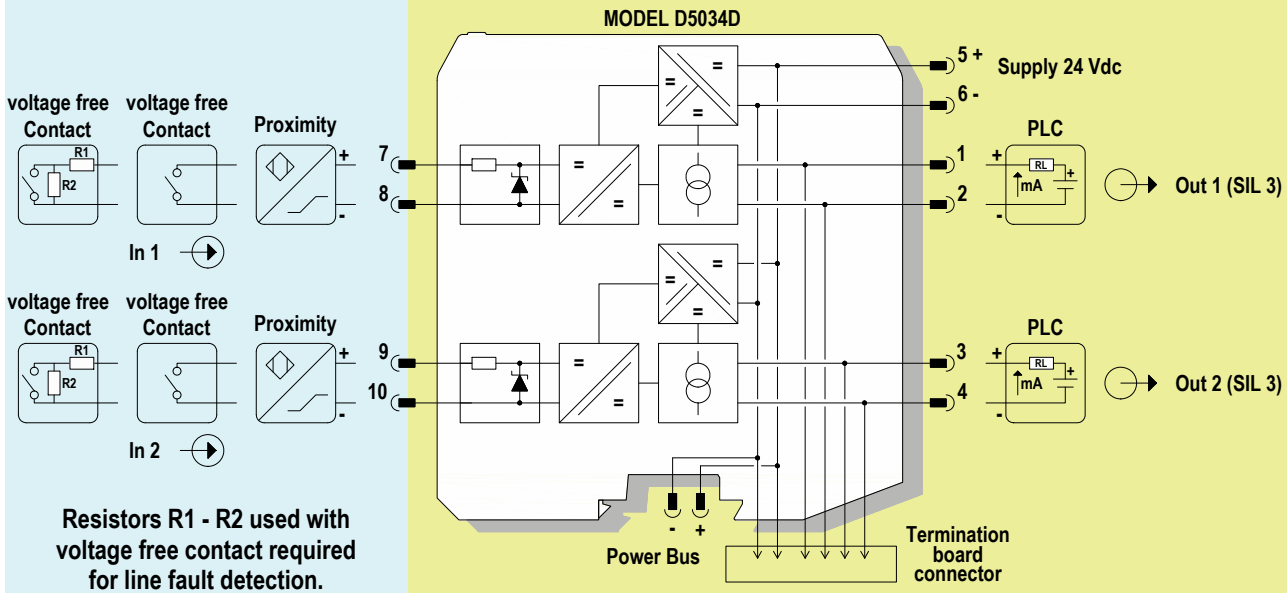
D5034 Terminals		D5034 Associated Apparatus Parameters		Must be	Hazardous Area/ Hazardous Locations Device Parameters
Ch1	7 - 8	$U_o / V_{oc} = 10.5 \text{ V}$		\leq	U_i / V_{max}
Ch2	9 - 10				
Ch1	7 - 8	$I_o / I_{sc} = 15 \text{ mA}$		\leq	I_i / I_{max}
Ch2	9 - 10				
Ch1	7 - 8	$P_o / P_o = 39 \text{ mW}$		\leq	P_i / P_i
Ch2	9 - 10				
D5034 Terminals		D5034 Associated Apparatus Parameters Cenelec (US)		Must be	Hazardous Area/ Hazardous Locations Device + Cable Parameters
Ch1	7 - 8	$C_o / C_a = 2.4 \mu\text{F}$	IIC (A, B)	\geq	$C_i / C_i \text{ device} + C \text{ cable}$
Ch2	9 - 10	$C_o / C_a = 16.8 \mu\text{F}$	IIB (C)		
		$C_o / C_a = 75 \mu\text{F}$	IIA (D)		
		$C_o / C_a = 66 \mu\text{F}$	I		
		$C_o / C_a = 16.8 \mu\text{F}$	IIIC (E, F, G)		
Ch1	7 - 8	$L_o / L_a = 163 \text{ mH}$	IIC (A, B)	\geq	$L_i / L_i \text{ device} + L \text{ cable}$
Ch2	9 - 10	$L_o / L_a = 652 \text{ mH}$	IIB (C)		
		$L_o / L_a = 1300 \text{ mH}$	IIA (D)		
		$L_o / L_a = 2140 \text{ mH}$	I		
		$L_o / L_a = 652 \text{ mH}$	IIIC (E, F, G)		
Ch1	7 - 8	$L_o / R_o = 918.2 \mu\text{H}/\Omega$	IIC (A, B)	\geq	$L_i / R_i \text{ device and}$ $L \text{ cable} / R \text{ cable}$
Ch2	9 - 10	$L_o / R_o = 3672.9 \mu\text{H}/\Omega$	IIB (C)		
		$L_o / R_o = 7345.8 \mu\text{H}/\Omega$	IIA (D)		
		$L_o / R_o = 12051.8 \mu\text{H}/\Omega$	I		
		$L_o / R_o = 3672.9 \mu\text{H}/\Omega$	IIIC (E, F, G)		

For installations in which both the C_i and L_i of the Intrinsically Safe apparatus exceed 1% of the C_o and L_o parameters of the Associated Apparatus (excluding the cable), then 50% of C_o and L_o parameters are applicable and shall not be exceeded (50% of the C_o and L_o become the limits which must include the cable such that $C_i \text{ device} + C \text{ cable} \leq 50\% \text{ of } C_o$ and $L_i \text{ device} + L \text{ cable} \leq 50\% \text{ of } L_o$). The reduced capacitance of the external circuit (including cable) shall not be greater than $1 \mu\text{F}$ for Groups I, IIA, IIB and 600 nF for Group IIC. If the cable parameters are unknown, the following value may be used: Capacitance 200 pF per meter (60 pF per foot), Inductance $1 \mu\text{H}$ per meter ($0.20 \mu\text{H}$ per foot).

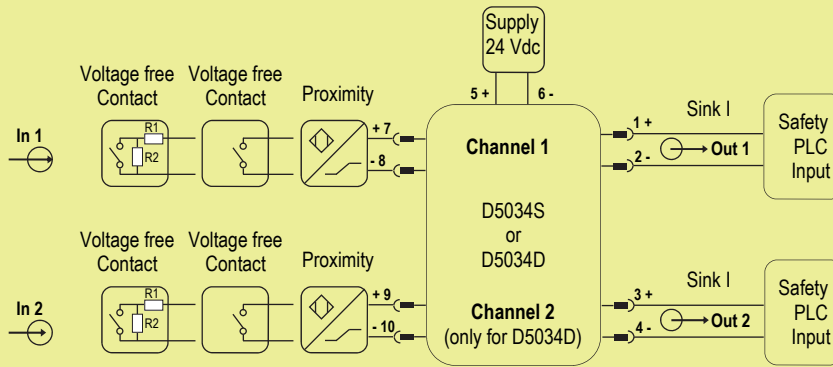
Function Diagram

HAZARDOUS AREA ZONE 0 (ZONE 20) GROUP IIC,
HAZARDOUS LOCATIONS CLASS I, DIVISION 1, GROUPS A, B, C, D,
CLASS II, DIVISION 1, GROUPS E, F, G, CLASS III, DIVISION 1,
CLASS I, ZONE 0, GROUP IIC

SAFE AREA, ZONE 2 GROUP IIC T4,
NON HAZARDOUS LOCATIONS, CLASS I, DIVISION 2,
GROUPS A, B, C, D T-Code T4, CLASS I, ZONE 2, GROUP IIC T4



Application for D5034S or D5034D



Description:

The module is powered by connecting 24 Vdc power supply to Pins 5 (+ positive) - 6 (- negative). The green LED is lit in presence of supply power. Voltage free contact or proximity detector are applied to Pins 7-8 (In 1 - Ch.1) and Pins 9-10 (In 2 - Ch.2). Sink output currents are applied to Pins 1-2 (for Channel 1) and Pins 3-4 (for Channel 2).

Safety Function and Failure behavior:

D5034 is considered to be operating in Low Demand mode, as a Type A module, having Hardware Fault Tolerance (HFT) = 0.

The failure behaviour is described from the following definitions :

- fail-Safe State: state is defined as the output going Low or High, considering that the safety logic solver can convert the Low or High fail (dangerous detected) to the fail-safe state;
- fail Safe: failure mode that causes the module to go to the defined fail-safe state without a demand from the process;
- fail Dangerous: failure mode that does not respond to a demand from the process (i.e. being unable to go to the defined fail-safe state) or deviates the output current by more than 5% (0.4 mA) of 8 mA full scale;
- fail High: failure mode that causes the output signal to go above 7 mA (as short circuit of input). Assuming that the application program in the safety logic solver is configured to detect High failure and does not automatically trip on this failure, this failure has been classified as a dangerous detected (DD) failure.
- fail Low: failure mode that causes the output signal to go below 0.35 mA (as input line breakage). Assuming that the application program in the safety logic solver is configured to detect Low failure and does not automatically trip on this failure, this failure has been classified as a dangerous detected (DD) failure.
- fail "No Effect": failure mode of a component that plays a part in implementing the safety function but that is neither a safe failure nor a dangerous failure. When calculating the SFF, this failure mode is not taken into account;
- fail "Not part": failure mode of a component which is not part of the safety function but part of the circuit diagram and is listed for completeness.

When calculating the SFF this failure mode is not taken into account.

The 2 channels of D5034D module could be used to increase the hardware fault tolerance, needed for a higher SIL of a certain Safety Function, as they are completely independent each other, not containing common components. In fact, the analysis results got for D5034S (single channel) are also valid for each channel of D5034D (double channel). Failure rate data: taken from Siemens Standard SN29500.

Failure rate table:

Failure category	Failure rates (FIT)
λ_{dd} = Total Dangerous Detected failures	125.63
λ_{du} = Total Dangerous Undetected failures	12.64
λ_{sd} = Total Safe Detected failures	0.00
λ_{su} = Total Safe Undetected failures	0.00
$\lambda_{tot\ safe}$ = Total Failure Rate (Safety Function) = $\lambda_{dd} + \lambda_{du} + \lambda_{sd} + \lambda_{su}$	138.27
MTBF (safety function, single channel) = $(1 / \lambda_{tot\ safe}) + MTTR$ (8 hours)	825 years
$\lambda_{no\ effect}$ = "No Effect" failures	182.53
$\lambda_{not\ part}$ = "Not Part" failures	4.80
$\lambda_{tot\ device}$ = Total Failure Rate (Device) = $\lambda_{tot\ safe} + \lambda_{no\ effect} + \lambda_{not\ part}$	325.60
MTBF (device, single channel) = $(1 / \lambda_{tot\ device}) + MTTR$ (8 hours)	350 years

Failure rates table according to IEC 61508:2010 Ed.2 :

λ_{sd}	λ_{su}	λ_{dd}	λ_{du}	SFF	DCs	DCD
0.00 FIT	0.00 FIT	125.63 FIT	12.64 FIT	90.86%	0%	90.86%

PFDavg vs T[Proof] table (assuming Proof Test coverage of 99%), with determination of SIL supposing module contributes $\leq 10\%$ of total SIF dangerous failures:

T[Proof] = 1 year	T[Proof] = 17 years
PFDavg = 5.65 E-05 Valid for SIL 3	PFDavg = 9.61 E-04 Valid for SIL 2

PFDavg vs T[Proof] table (assuming Proof Test coverage of 99%), with determination of SIL supposing module contributes $> 10\%$ of total SIF dangerous failures:

T[Proof] = 10 years	T[Proof] = 20 years
PFDavg = 5.65 E-04 Valid for SIL 3	PFDavg = 1.13 E-03 Valid for SIL 2

Systematic capability SIL 3.

Testing procedure at T-proof

The proof test shall be performed to reveal dangerous faults which are undetected by diagnostic. This means that it is necessary to specify how dangerous undetected faults, which have been noted during the FMEDA, can be revealed during proof test.

Note for switch input: to detect a broken wire, or a short circuit condition, in the input connections it is necessary to mount, close to the switches, the end of line resistors: R1=1 K Ω typical (470 Ω to 2 K Ω range) resistor in series and R2=10 k Ω typical (5 K Ω to 15 K Ω range) resistor in parallel to the contacts.

The **Proof test 1** consists of the following steps:

Steps	Action
1	Bypass the safety-related PLC or take other appropriate action to avoid a false trip.
2	Vary the state condition of the input sensors /contacts or the proximity switches connected in the field in order to go to short circuit condition and verify that the output current of the repeater reaches high current value (> 7 mA). This test for compliance voltage problems such as a low loop power supply voltage or increased wiring resistance.
3	Vary the state condition of the input sensors / contacts or the proximity switches connected in the field in order to go to open connection condition (equivalent to line breakage) and verify that the output current of the repeater reaches low current value (< 0.35 mA). This tests for possible quiescent current related failures.
4	Restore the loop to full operation.
5	Remove the bypass from the safety-related PLC or restore normal operation.

This test will reveal approximately 30 % of possible Dangerous Undetected failures in the repeater.

The **Proof test 2** consists of the following steps:

Steps	Action
1	Bypass the safety-related PLC or take other appropriate action to avoid a false trip.
2	Perform step 2 and 3 of the Proof Test 1 .
3	Connect an ammeter in series to the input sensors / contacts or the proximity switches in order to measure the input sensor current. Then vary the state condition of the input sensors / contacts (from open to close condition and vice versa) or the proximity switches (from ON to OFF condition and vice versa), and verify that the output current of repeater is in accordance with the input sensor current, within the specified accuracy. This requires that the input sensors / contacts or the proximity switches have already been tested without the repeater and they work correctly according to their performance.
4	Restore the loop to full operation.
5	Remove the bypass from the safety-related PLC or restore normal operation.

This test will reveal approximately 99 % of possible Dangerous Undetected failures in the repeater.

Warning

D5034 series are isolated Intrinsically Safe Associated Apparatus installed into standard EN/IEC60715 TH 35 DIN-Rail located in Safe Area or Zone 2, Group IIC, Temperature T4, Hazardous Area within the specified operating temperature limits Tamb -40 to +70 °C, and connected to equipment with a maximum limit for AC power supply Um of 250 Vrms. Not to be connected to control equipment that uses or generates more than 250 Vrms or Vdc with respect to earth ground.

D5034 series must be installed, operated and maintained only by qualified personnel, in accordance to the relevant national/international installation standards (e.g. IEC/EN60079-14 Electrical apparatus for explosive gas atmospheres - Part 14: Electrical installations in hazardous areas (other than mines)), following the established installation rules, particular care shall be given to segregation and clear identification of I.S. conductors from non I.S. ones.

De-energize power source (turn off power supply voltage) before plug or unplug the terminal blocks when installed in Hazardous Area or unless area is known to be nonhazardous.

Warning: substitution of components may impair Intrinsic Safety and suitability for Zone 2.

Explosion Hazard: to prevent ignition of flammable or combustible atmospheres, disconnect power before servicing or unless area is known to be nonhazardous.

Failure to properly installation or use of the equipment may risk to damage the unit or severe personal injury.

The unit cannot be repaired by the end user and must be returned to the manufacturer or his authorized representative.

Any unauthorized modification must be avoided.

Operation

The single and dual channel Switch/Proximity Interface, D5034S and D5034D is a high integrity repeater, designed to interface contacts or proximity detectors (EN60947-5-6, NAMUR) located in Hazardous Area and is suitable for applications requiring SIL 3 level (according to IEC 61508:2010 Ed. 2) in safety related systems for high risk industries.

Field loop integrity and status (line plus contact or proximitor) are continuously and directly monitored, in transparent mode, into the PLC, ESD, DCS using their existing input line, without requiring an additional channel for line fault detection.

PLC / DCS can detect the following conditions:

0.5 to 1.3 mA	Input open condition
2.0 to 6.0 mA	Input close condition
0 to 0.4 mA	Input fault condition (Line break)
6.5 to 8.0 mA	Input fault condition (Short circuit)

These are automatically detected for proximity switches inputs. A "POWER ON" green led for each channel lits when input power is present.

Note: use of voltage free electrical contacts with fault detection enabled (control equipment) requires, near the switch at the end of the line a R1=1 kΩ typical (470 Ω to 2 kΩ range) resistor in series and a R2=10 kΩ typical (5 kΩ to 15 kΩ range) resistor in parallel to the contacts in order to allow the fault detection circuit to distinguish between a condition of contact close/open and a line open/short circuit fault.

Installation

D5034 series are Switch/Proximity Detector Interface housed in a plastic enclosure suitable for installation on EN/IEC60715 TH 35 DIN-Rail, with or without Power Bus or on customized Termination Board. D5034 series can be mounted with any orientation over the entire ambient temperature range.

Electrical connection are accommodated by polarized plug-in removable screw terminal blocks which can be plugged in/out into a powered unit without suffering or causing any damage **(for Zone 2 installations check the area to be nonhazardous before servicing)**. Connect only one individual conductor per each clamping point, use conductors up to 2.5 mm² (13 AWG) and a torque value of 0.5-0.6 Nm. The wiring cables have to be proportionate in base to the current and the length of the cable.

In case of installation in zone 2, the connecting cables of non-intrinsically safe circuits must be safely routed in a cable duct or similar. The distance between the pluggable connection terminal and the cable duct should not exceed 500 mm cable length.

On the section "Function Diagram" and enclosure side a block diagram identifies all connections.

Identify the number of channels of the specific card (e.g. D5034S is a single channel model and D5034D is a dual channel model), the function and location of each connection terminal using the wiring diagram on the corresponding section, as an example:

Connect 24 Vdc power supply positive at terminal "5" and negative at terminal "6".

For Model D5034S connect positive output of channel 1 at terminal "1" and negative output at "2".

For Model D5034D in addition to channel 1 connections above, connect positive output of channel 2 at terminal "3" and negative output at "4".

For Model D5034S, in case of Proximity or Voltage free Contact, connect the wires at terminal "7" for positive and "8" for negative.

For Model D5034D in addition to channel 1 connections above, connect terminal "9" for positive and "10" for negative on channel 2.

Intrinsically Safe conductors must be identified and segregated from non I.S. and wired in accordance to the relevant national/international installation standards (e.g. EN/IEC60079-14 Electrical apparatus for explosive gas atmospheres - Part 14: Electrical installations in hazardous areas (other than mines)), make sure that conductors are well isolated from each other and do not produce any unintentional connection.

The enclosure provides, according to EN60529, an IP20 minimum degree of protection (or similar to NEMA Standard 250 type 1). The equipment shall only be used in an area of at least pollution degree 2, as defined in IEC 60664-1. When installed in EU Zone 2, the unit shall be installed in an enclosure that provides a minimum ingress protection of IP54 in accordance with IEC 60079-0. When installed in a Class I, Zone 2 Hazardous Location, the unit shall be mounted in a supplemental AEx or Ex enclosure that provides a degree of protection not less than IP54 in accordance with UL/CSA 60079-0. When installed in a Class I, Division 2 Hazardous Location, the unit shall be mounted in a supplemental enclosure that provides a degree of protection not less than IP54. The enclosure must have a door or cover accessible only by the use of a tool. The end user is responsible to ensure that the operating temperature of the module is not exceeded in the end use application.

Units must be protected against dirt, dust, extreme mechanical (e.g. vibration, impact and shock) and thermal stress, and casual contacts.

If enclosure needs to be cleaned use only a cloth lightly moistened by a mixture of detergent in water.

Electrostatic Hazard: to avoid electrostatic hazard, the enclosure of D5034 series must be cleaned only with a damp or antistatic cloth.

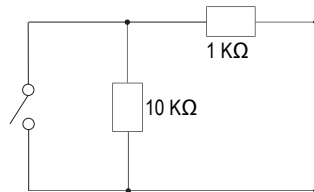
Any penetration of cleaning liquid must be avoided to prevent damage to the unit. Any unauthorized modification must be avoided.

D5034 series must be connected to SELV or PELV supplies.

All circuits connected to D5034 series must comply with the overvoltage category II (or better) according to EN/IEC60664-1.

End of Line Resistor for Contact

Use of voltage free electrical contacts with fault detection enabled (control equipment) requires, near the switch at the end of the line a 1 kΩ typical (470 Ω to 2 kΩ range) series connected resistor and a 10 kΩ typical (5 kΩ to 15 kΩ range) parallel connected resistor in order to allow the fault detection circuit to distinguish between a condition of contact close/open and a line open/short circuit fault.



Start-up

Before powering the unit check that all wires are properly connected, particularly supply conductors and their polarity, input and output wires, also check that Intrinsically Safe conductors and cable trays are segregated (no direct contacts with other non I.S. conductors) and identified either by color coding, preferably blue, or by marking. Check conductors for exposed wires that could touch each other causing dangerous unwanted shorts. Turn on power, the "power on" green leds must be lit output condition must be in accordance with condition of the corresponding input line. If possible close and open input lines one at time checking the corresponding reflected current output to be correct.