



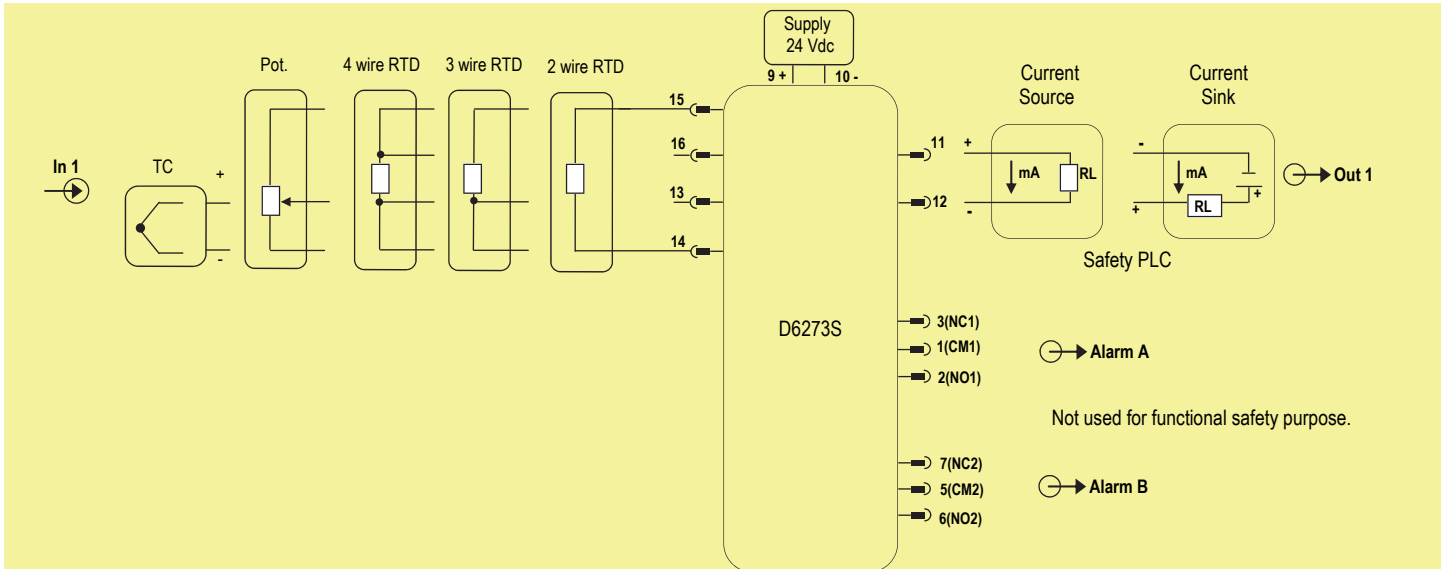
# SAFETY MANUAL

## SIL 2 Temperature Signal Converter and Trip Amplifiers DIN-Rail Model D6273S

Reference must be made to the relevant sections within the instruction manual ISM0218 and ISM0154 (for SWC5090 Configuration Software instruction manual), which contain basic guides for the installation and configuration of the equipment.



1) Application for D6273S , with 4-20 mA Analog Current Output



**Description:**

By means of SWC5090 Configuration Software, as user interface on a PC to communicate with the module, select: Burnout "Active" on Configuration Input 1; Drive "Source" or "Sink" on Configuration Output 1; Type "4-20 mA Low" or "4-20 mA High" or "4-20 mA NE43 Low" or "4-20 mA NE43 High" or "Custom Scale (with equivalent Down/Up scale, Under/Over range and Fault output value as previous Types)" on Configuration Output 1; Fault cells of "Burnout", "Input fault" and "Sensor out of specification" on Configuration Output 1, so that analog output is forced to Fault output value < 4mA or > 20mA in case of fault presence. The module is powered by connecting 24 Vdc power supply to Pins 9 (+ positive) and 10 (- negative). The green LED is lit in presence of supply power. Input sensor (Thermocouple, RTD, Potentiometer) is applied from Pins 13 to 16 (see instruction manual of the module for more information about input settings). Source or Sink output current is applied to Pins 11-12.

Alarm A (Pins 1-2-3) and Alarm B (Pins 5-6-7) Outputs are only used for service purpose (not for Safety purpose).

**Safety Function and Failure behavior:**

D6273S is considered to be operating in Low Demand mode, as a Type B module, having Hardware Fault Tolerance (HFT) = 0.

The failure behaviour of module (only the 4 - 20 mA current Source/Sink output configuration is used for functional safety application) is described from the following definitions:

- Fail-Safe State: it is defined as the channel output going to 0 mA due to module shutdown.
- Fail Safe: failure mode that causes the module / (sub)system to go to the defined Fail-Safe state without a demand from the process.
- Fail Dangerous: failure mode that does not respond to a demand from the process or deviates the channel output current by more than 3% of the correct value.
- Fail High: failure mode that causes the channel output signal to go above the maximum output current (> 20 mA). This limit value can be programmed by the user > 20 mA. Assuming that the application program in the Safety logic solver is configured to detect High failures, they have been classified as Dangerous Detected (DD) failures.
- Fail Low: failure mode that causes the channel output signal to go below the minimum output current (< 4 mA). This limit value can be programmed by the user < 4 mA. Assuming that the application program in the Safety logic solver is configured to detect Low failures, they have been classified as Dangerous Detected (DD) failures.
- Fail Dangerous Detected: it's a dangerous failure which has been detected from module internal diagnostic so that channel output signal is forced below the minimum output current < 4mA (as Fail Low) or above the maximum output current > 20mA (as Fail High).
- Fail "No Effect": failure mode of a component that plays a part in implementing the Safety Function but that is neither a safe failure nor a dangerous failure. When calculating the SFF, this failure mode is not taken into account.
- Fail "Not part": failure mode of a component which is not part of the Safety Function but is part of the circuit diagram and is listed for completeness. When calculating the SFF this failure mode is not taken into account.

As the module has been evaluated in accordance with Route 2H (proven-in-use) of the IEC 61508:2010, Diagnostic Coverage DC ≥ 60% is required for Type B elements.

Being HFT = 0, in Low Demand mode the maximum achievable functional safety level is SIL 2.

Failure rate data: taken from Siemens Standard SN29500.

**Failure rate table:**

Failure category	Failure rates (FIT)
$\lambda_{dd}$ = Total Dangerous Detected failures	153.16
$\lambda_{du}$ = Total Dangerous Undetected failures	22.33
$\lambda_{sd}$ = Total Safe Detected failures	0.00
$\lambda_{su}$ = Total Safe Undetected failures	107.88
$\lambda_{tot\ safe}$ = Total Failure Rate (Safety Function) = $\lambda_{dd} + \lambda_{du} + \lambda_{sd} + \lambda_{su}$	283.37
MTBF (safety function, one channel) = $(1 / \lambda_{tot\ safe}) + MTTR$ (8 hours)	403 years
$\lambda_{no\ effect}$ = "No effect" failures	207.13
$\lambda_{not\ part}$ = "Not Part" failures	211.10
$\lambda_{tot\ device}$ = Total Failure Rate (Device) = $\lambda_{tot\ safe} + \lambda_{no\ effect} + \lambda_{not\ part}$	701.60
MTBF (device) = $(1 / \lambda_{tot\ device}) + MTTR$ (8 hours)	163 years

**Failure rates table according to IEC 61508:2010 Ed.2:**

$\lambda_{sd}$	$\lambda_{su}$	$\lambda_{dd}$	$\lambda_{du}$	DC	SFF
0.00 FIT	107.87 FIT	153.16 FIT	22.33 FIT	87.28%	92.12%

where DC means the diagnostic coverage for the input sensor by module internal diagnostic circuits and by Safety logic solver. This type "B" system, operating in Low Demand mode with HFT = 0, has got DC = 87.28 % ≥ 60 % as required by Route 2H evaluation (proven-in-use) of the IEC 61508:2010.

PFDavg vs T[Proof] table (assuming Proof Test coverage of 99%), with determination of SIL supposing module contributes ≤ 10% of total SIF dangerous failures:

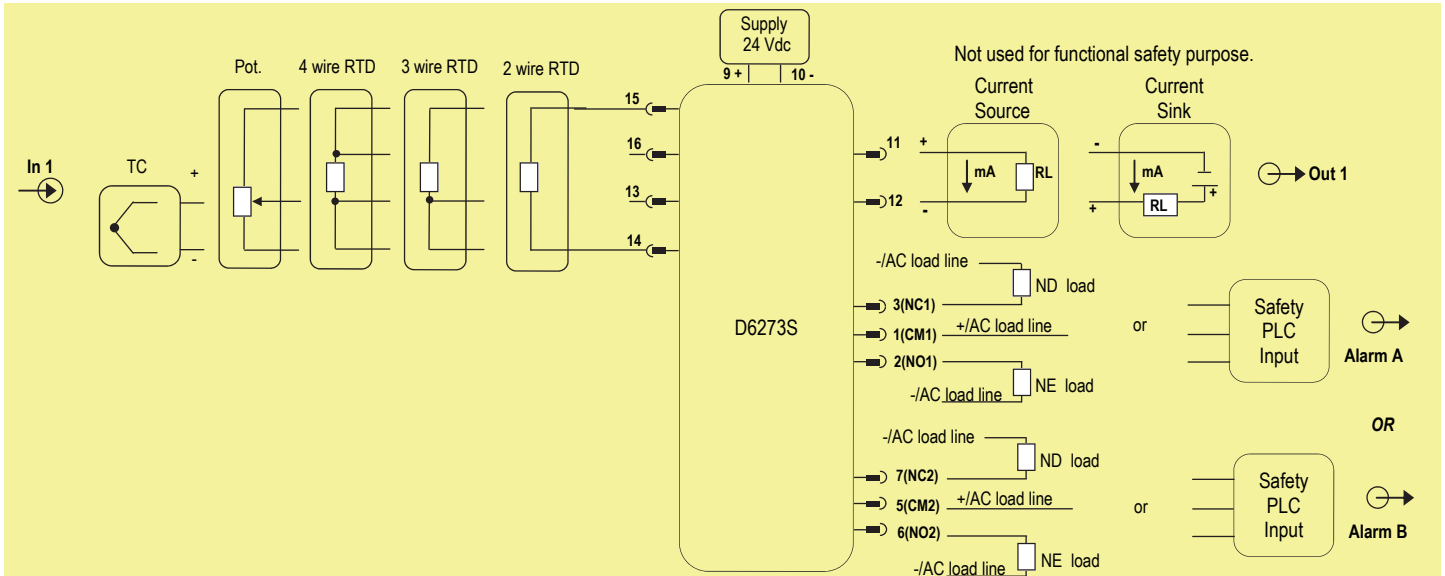
T[Proof] = 1 year	T[Proof] = 10 years
PFDavg = 9.92 E-05 - Valid for SIL 2	PFDavg = 9.92 E-04 - Valid for SIL 2

PFDavg vs T[Proof] table (assuming Proof Test coverage of 99%), with determination of SIL supposing module contributes > 10% of total SIF dangerous failures:

T[Proof] = 20 years
PFDavg = 1.98 E-03 - Valid for SIL 2

**SC 3: Systematic capability SIL 3.** Two channels (each with input + analog current output) of two different D6273S modules can be used to increase the hardware fault tolerance to HFT = 1, needed for a Safety Function requiring a higher SIL level equal to SIL 3.

2) Application for D6273S , single Alarm Trip Amplifier with Relay output



**Description:** By means of SWC5090 Configuration Software, as user interface on a PC to communicate with the module, select: Burnout "Active" on Configuration Input 1; Type "Low" or "High" or "Window" or "Fault Repeater" on Configuration Alarm A or B; Function "Temp 1" or "Value 1" on Configuration Alarm A or B; Contact position in alarm "Open" on Configuration Alarm A or B; impose Low Set and Low Hysteresis values if Type "Low" or "Window" have been chosen on Configuration Alarm A or B, OR impose High Set and High Hysteresis values if Type "High" or "Window" have been chosen on Configuration Alarm A or B; In case of fault "Alarm Active" if Type "Fault Repeater" have been chosen on Configuration Alarm A or B; Fault cells of "Burnout", "Input fault" and "Sensor out of specification" if Type "Fault Repeater" have been chosen on Configuration Alarm A or B. The module is powered by connecting 24 Vdc power supply to Pins 9 (+ positive) and 10 (- negative). The green LED is lit in presence of supply power. Input sensor (Thermocouple, RTD, Potentiometer) is applied from Pins 13 to 16 (see instruction manual of the module for more information about input settings). Alarm A (Pins 1-2-3) or Alarm B (Pins 5-6-7) Output permits possible connection to Normally Energized (NE) load or Normally De-energized (ND) load or to Safety PLC input. Alarm A or Alarm B output relay is normally energized, NO contact is closed so that NE load is normally energized, while NC contact is open so that ND load is normally de-energized. In case of alarm, the system goes in Safe State, de-energizing the output relay: NO contact goes open so that NE load is de-energized, while NC contact goes closed so that ND load is energized. To prevent relay contacts from damaging, connect an external protection (fuse or similar), chosen according to the relay breaking capacity (for relay contact rating, see "Technical Data" section of Instruction manual ISM0218). Source or Sink output current (Pins 11-12) is only used for service purpose (not for Safety purpose).

**Safety Function and Failure behavior:**

D6273S is considered to be operating in Low Demand mode, as a Type B module, having Hardware Fault Tolerance (HFT) = 0.

The failure behaviour of module (only the Alarm A or Alarm B output configuration is used for functional safety application) is described from the following definitions:

- Fail-Safe State: it is defined as the output relay being de-energized or NO contact remaining open (de-energizing the NE load) or NC contact remaining closed (energizing the ND load) (the user can program the trip point value, according to the input measured value, at which the output relay must be de-energized).
- Fail Safe: failure mode that causes the module / (sub)system to go to the defined Fail-Safe state without a demand from the process.
- Fail Dangerous: failure mode that leads to a measurement error more than 3% of the correct value and therefore has not the potential to respond to a demand from the process (i.e. being unable to go to the defined fail-safe state), so that the output relay remains energized or NO contact fixes closed or NC contact fixes open.
- Fail Dangerous Detected: a dangerous failure which has been detected from module internal diagnostic so that output relay is forced to be de-energized (that is to Fail-Safe state), with NO contact open or NC contact closed.
- Fail "No Effect": failure mode of a component that plays a part in implementing the Safety Function but that is neither a safe failure nor a dangerous failure. When calculating the SFF, this failure mode is not taken into account.
- Fail "Not part": failure mode of a component which is not part of the Safety Function but is part of the circuit diagram and is listed for completeness. When calculating the SFF this failure mode is not taken into account.

As the module has been evaluated in accordance with Route 2H (proven-in-use) of the IEC 61508:2010, Diagnostic Coverage DC ≥ 60% is required for Type B elements.

Being HFT = 0, in Low Demand mode the maximum achievable functional safety level is SIL 2. Failure rate data: taken from Siemens Standard SN29500.

**Failure rate table:**

Failure category	Failure rates (FIT)
$\lambda_{dd}$ = Total Dangerous Detected failures	114.44
$\lambda_{du}$ = Total Dangerous Undetected failures	44.38
$\lambda_{sd}$ = Total Safe Detected failures	0.00
$\lambda_{su}$ = Total Safe Undetected failures	154.76
$\lambda_{tot\ safe}$ = Total Failure Rate (Safety Function) = $\lambda_{dd} + \lambda_{du} + \lambda_{sd} + \lambda_{su}$	313.58
MTBF (safety function, alarm channel) = $(1 / \lambda_{tot\ safe}) + MTTR$ (8 hours)	364 years
$\lambda_{no\ effect}$ = "No effect" failures	184.77
$\lambda_{not\ part}$ = "Not Part" failures	203.25
$\lambda_{tot\ device}$ = Total Failure Rate (Device) = $\lambda_{tot\ safe} + \lambda_{no\ effect} + \lambda_{not\ part}$	701.60
MTBF (device) = $(1 / \lambda_{tot\ device}) + MTTR$ (8 hours)	163 years

**Failure rates table according to IEC 61508:2010 Ed.2:**

$\lambda_{sd}$	$\lambda_{su}$	$\lambda_{dd}$	$\lambda_{du}$	DC	SFF
0.00 FIT	154.76 FIT	114.44 FIT	44.38 FIT	72.06%	85.85%

where DC means the diagnostic coverage for the input sensor by module internal diagnostic circuits. This type "B" system, operating in Low Demand mode with HFT = 0, has got DC = 72.06 % ≥ 60 % as required by Route 2H evaluation (proven-in-use) of the IEC 61508:2010.

**PFDavg vs T[Proof] table** (assuming Proof Test coverage of 99%), with determination of SIL supposing module contributes ≤ 10% of total SIF dangerous failures:

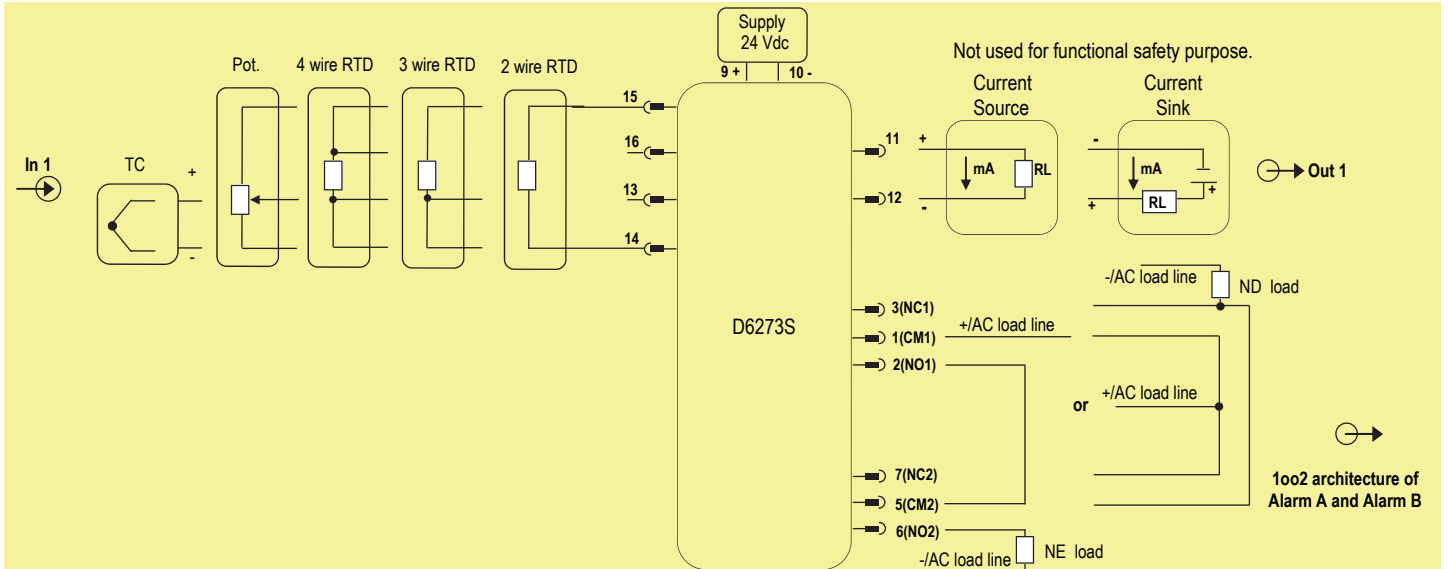
T[Proof] = 1 year	T[Proof] = 5 years
PFDavg = 1.96 E-04 - Valid for SIL 2	PFDavg = 9.80 E-04 - Valid for SIL 2

**PFDavg vs T[Proof] table** (assuming Proof Test coverage of 99%), with determination of SIL supposing module contributes > 10% of total SIF dangerous failures:

T[Proof] = 20 years
PFDavg = 3.92 E-03 - Valid for SIL 2

**SC 3: Systematic capability SIL 3.** Two channels (each with input + single alarm trip amplifier with relay output) of two different D6273S modules can be used to increase the hardware fault tolerance to HFT = 1, needed for a Safety Function requiring a higher SIL level equal to SIL 3.

3) Application for D6273S , 1oo2 architecture of Alarm Trip Amplifiers with Relay outputs



**Description:** By means of SWC5090 Configuration Software, as user interface on a PC to communicate with the module, select equal parameters for both Alarm A and Alarm B: Burnout "Active" on Configuration Input 1; Type "Low" or "High" or "Window" or "Fault Repeater" on Configuration Alarm A & B; Function "Temp 1" or "Value 1" on Configuration Alarm A & B; Contact position in alarm "Open" on Configuration Alarm A & B; impose Low Set and Low Hysteresis values if Type "Low" or "Window" have been chosen on Configuration Alarm A & B, OR impose High Set and High Hysteresis values if Type "High" or "Window" have been chosen on Configuration Alarm A & B; In case of fault "Alarm Active" if Type "Fault Repeater" have been chosen on Configuration Alarm A & B; Fault cells of "Burnout", "Input fault" and "Sensor out of specification" if Type "Fault Repeater" have been chosen on Configuration Alarm A & B. The module is powered by connecting 24 Vdc power supply to Pins 9 (+ positive) and 10 (- negative). The green LED is lit in presence of supply power. Input sensor (Thermocouple, RTD, Potentiometer) is applied from Pins 13 to 16 (see instruction manual of the module for more information about input settings). Alarm A (Pins 1-2-3) or Alarm B (Pins 5-6-7) Output permits 1oo2 series / parallel architecture with their NO / NC contacts. NO contacts in 1oo2 series architecture must be only used for Normally Energized (NE) load, while NC contacts in 1oo2 parallel architecture must be only used for Normally De-energized (ND) load. Alarm A and Alarm B output relays are normally energized, NO contacts are closed so that NE load is normally energized, while NC contacts are open so that ND load is normally de-energized. In case of alarm, the system de-energizes to trip, output relays are de-energized, NO contacts are open so that NE load is de-energized, while NC contacts are closed so that ND load is energized. To prevent relay contacts from damaging, connect an external protection (fuse or similar), chosen according to the relay breaking capacity (for relay contact rating, see "Technical Data" section of instruction manual ISM0218). Source or Sink output current (Pins 11-12) is only used for service purpose (not for Safety purpose).

**Safety Function and Failure behavior:**

D6273S is considered to be operating in Low Demand mode, as a Type B module, having Hardware Fault Tolerance (HFT) = 0.

The failure behaviour of module (only 1oo2 architecture of Alarm A & Alarm B output configuration is used for functional safety application) is described from the following definitions:

- Fail-Safe State: it is defined as the output relays being de-energized or NO contacts remaining open (de-energizing the NE load) or NC contacts remaining closed (energizing the ND load) (user must program for both alarm amplifiers the same trip point value, in according with input measured value, at which both output relays must be de-energized).
- Fail Safe: failure mode that causes the module / (sub)system to go to the defined Fail-Safe state without a demand from the process.
- Fail Dangerous: failure mode that leads to a measurement error more than 3% of the correct value and therefore has not the potential to respond to a demand from the process (i.e. being unable to go to the defined fail-safe state), so that the output relays remain energized or NO contacts fix closed or NC contacts fix open.
- Fail Dangerous Detected: a dangerous failure which has been detected from module internal diagnostic so that output relays are forced to be de-energized (that is to Fail-Safe state), with NO series contacts open or NC parallel contacts closed.
- Fail "No Effect": failure mode of a component that plays a part in implementing the Safety Function but that is neither a safe failure nor a dangerous failure. When calculating the SFF, this failure mode is not taken into account.
- Fail "Not part": failure mode of a component which is not part of the Safety Function but is part of the circuit diagram and is listed for completeness. When calculating the SFF this failure mode is not taken into account.

As the module has been evaluated in accordance with Route 2H (proven-in-use) of the IEC 61508:2010, Diagnostic Coverage DC ≥ 60% is required for Type B elements. Being HFT = 0, in Low Demand mode the maximum achievable functional safety level is SIL 2. Failure rate data: taken from Siemens Standard SN29500.

**Failure rate table:**

Failure category	Failure rates (FIT)
$\lambda_{dd}$ = Total Dangerous Detected failures	114.44
$\lambda_{du}$ = Total Dangerous Undetected failures	12.55
$\lambda_{sd}$ = Total Safe Detected failures	0.00
$\lambda_{su}$ = Total Safe Undetected failures	140.95
$\lambda_{tot\ safe}$ = Total Failure Rate (Safety Function) = $\lambda_{dd} + \lambda_{du} + \lambda_{sd} + \lambda_{su}$	267.94
MTBF (safety function, alarm channel) = $(1 / \lambda_{tot\ safe}) + MTTR$ (8 hours)	426 years
$\lambda_{no\ effect}$ = "No effect" failures	315.96
$\lambda_{not\ part}$ = "Not Part" failures	117.70
$\lambda_{tot\ device}$ = Total Failure Rate (Device) = $\lambda_{tot\ safe} + \lambda_{no\ effect} + \lambda_{not\ part}$	701.60
MTBF (device) = $(1 / \lambda_{tot\ device}) + MTTR$ (8 hours)	163 years

**Failure rates table according to IEC 61508:2010 Ed.2:**

$\lambda_{sd}$	$\lambda_{su}$	$\lambda_{dd}$	$\lambda_{du}$	DC	SFF
0.00 FIT	140.95 FIT	114.44 FIT	12.55 FIT	90.12%	95.32%

where DC means the diagnostic coverage for the input sensor by module internal diagnostic circuits. This type "B" system, operating in Low Demand mode with HFT = 0, has got DC = 90.12 % ≥ 60 % as required by Route 2H evaluation (proven-in-use) of the IEC 61508:2010.

**PFDavg vs T[Proof] table** (assuming Proof Test coverage of 99%), with determination of SIL supposing module contributes ≤ 10% of total SIF dangerous failures:

T[Proof] = 1 year	T[Proof] = 17 years
PFDavg = 5.60 E-05 - Valid for SIL 2	PFDavg = 9.52 E-04 - Valid for SIL 2

**PFDavg vs T[Proof] table** (assuming Proof Test coverage of 99%), with determination of SIL supposing module contributes > 10% of total SIF dangerous failures:

T[Proof] = 20 years
PFDavg = 1.12 E-03 - Valid for SIL 2

**SC 3: Systematic capability SIL 3.** Two channels (each with input + 1oo2 architecture of alarm trip amplifiers with relay outputs) of two different D6273S modules can be used to increase the hardware fault tolerance to HFT = 1, needed for a Safety Function requiring a higher SIL level equal to SIL 3.

## Testing procedure at T-proof

The proof test shall be performed to reveal dangerous faults which are undetected by diagnostic.

This means that it is necessary to specify how dangerous undetected faults, which have been noted during the FMEDA, can be revealed during the proof test.

The test on **D6273S for Analog Current output** consists of the following steps:

### Proof test 1A (to reveal 50 % of possible Dangerous Undetected failures)

Steps	Action
1	Bypass the Safety PLC or take any other appropriate action to avoid a false trip.
2	Connect a mV signal generator (in order to give an equivalent thermocouple signal) to the input terminals ('13'-'14') of the temperature converter.
3	Force an input signal value to go module current output to full scale value and verify that the analog current reaches that value. This tests is for voltage compliance problems, such as low supply voltage or increased wiring resistance, and for other possible failures.
4	Force an input signal value to go module current output to low scale value and verify that the analog current reaches that value. This tests is for possible quiescent current related failures.
5	Restore the loop to full operation.
6	Remove the bypass from the Safety-related PLC or restore normal operation.

### Proof test 2A (to reveal 99 % of possible Dangerous Undetected failures)

Steps	Action
1	Bypass the Safety PLC or take any other appropriate action to avoid a false trip.
2	Perform steps 2, 3 and 4 of <b>Proof Test 1A</b> .
3	Force some input signal values, verifying that the module output current related values are within the specified accuracy (3% of the correct value) as defined in the Safety Function.
4	Restore the loop to full operation.
5	Remove the bypass from the Safety-related PLC or restore normal operation.

The test on **D6273S for each Alarm Trip Amplifier with Relay output** consists of the following steps:

### Proof test 1B (to reveal 50 % of possible Dangerous Undetected failures)

Steps	Action
1	Bypass the Safety PLC or take any other appropriate action to avoid a false trip.
2	Connect a mV signal generator (in order to give an equivalent thermocouple signal) to the input terminals ('13'-'14') of the temperature converter.
3	For each trip amplifier, force an input signal value to go module to the high alarm current output and verify that the related relay contacts (on terminal blocks 1-2 or 1-3 for trip amplifier 1 and terminal blocks 5-6 or 5-7 for trip amplifier 2) are switched respect to previous normal condition.
4	For each trip amplifier, force an input signal value to go module to the low alarm current output and verify that the related relay contacts (on terminal blocks 1-2 or 1-3 for trip amplifier 1 and terminal blocks 5-6 or 5-7 for trip amplifier 2) are switched respect to previous normal condition.
5	Restore the loop to full operation.
6	Remove the bypass from the Safety-related PLC or restore normal operation.

### Proof test 2B (to reveal 99 % of possible Dangerous Undetected failures)

Steps	Action
1	Bypass the Safety PLC or take any other appropriate action to avoid a false trip.
2	Perform steps 2, 3 and 4 of <b>Proof Test 1B</b> .
3	Force some input signal values, included in the range 4-20 mA, and for each trip amplifier set an alarm current value in the range 4-20 mA. Verify that the related relay contacts (on terminal blocks 1-2 or 1-3 for trip amplifier 1 and terminal blocks 5-6 or 5-7 for trip amplifier 2) are switched when input signal increases / decreases (according to high / low alarm setting) above / below the alarm current value, considering a maximum error of 3% between input signal value and set alarm current value.
4	Restore the loop to full operation.
5	Remove the bypass from the Safety-related PLC or restore normal operation.